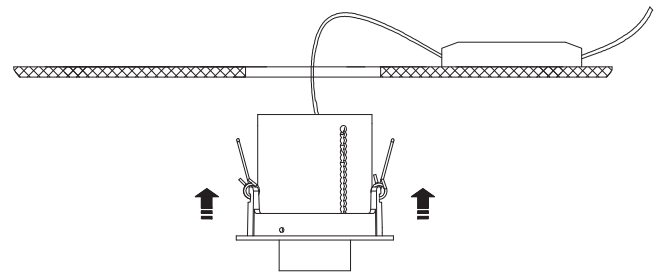
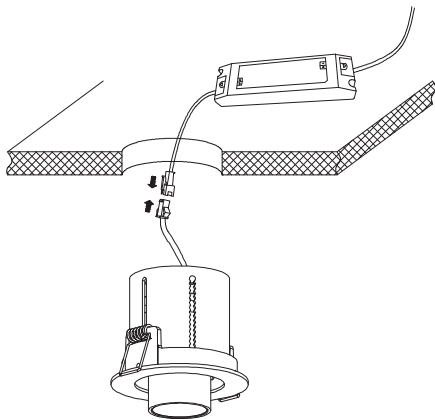
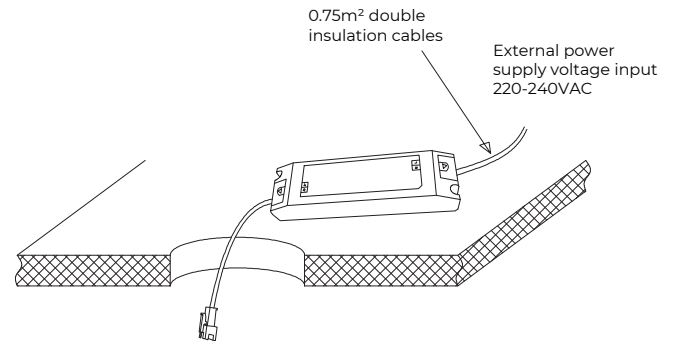
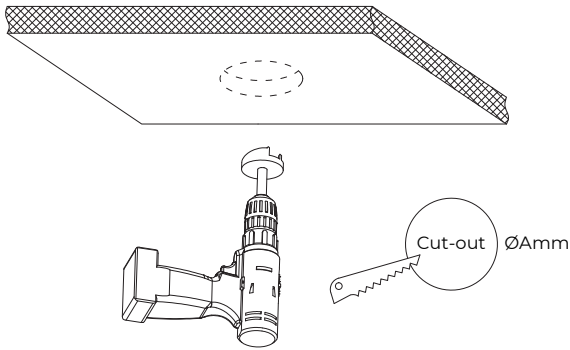


AXIS DOWNLIGHT SPOT SERIES INSTALLTION MANUAL

Before installation:

1. The entire installation process must be installed by a qualified electrician.
2. Make sure that the luminaires and the power supply units are always disconnected from the main supply before starting the installation.
DO NOT make connection with power ON. Keep the installation manual and follow the procedures properly.

	AX-DS1	AX-DS2	AX-DS3
ØA	69mm	97mm	150mm



	AX-DS1	AX-DS2	AX-DS3
A	75mm	83mm	106mm

