

SIGNIFICANT LIGHTING | ICONIC PROJECTS | BETTER BUSINESS

## When your projects get ambitious don't think ordinary

The lighting we provide means you can present installations that deliver experiences your customers – and their users – haven't seen before. Whether subtle or in your face, this enables you to set new standards for visual impact, end-user satisfaction and low cost of ownership throughout high-profile spaces.

**HERE&AFTER**

[info@hereandafter.com](mailto:info@hereandafter.com)

[hereandafter.com](http://hereandafter.com)



### Coin Fixed data sheet

Coin fixed is a minimalistic recessed downlight with a fixed optic. With its small diameter and low built-in height this is a very compact and high efficiency luminaire, which suitable for built-in under cabins or where there is no space.

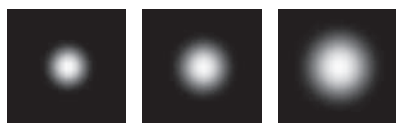
The Coin is a low voltage recessed downlight and the structure is based on aluminium, which gives the Coin a very good passive dissipation, which provide a very long lifespan. With its high efficiency optic, recessed into the luminaires, the Coin provide a high level of visual comfort and low glare.

As an add on, Coin also offer a surface mounting option, through the surface ring.

### DESIGNED BY ERIK PADKJÆR LARSEN



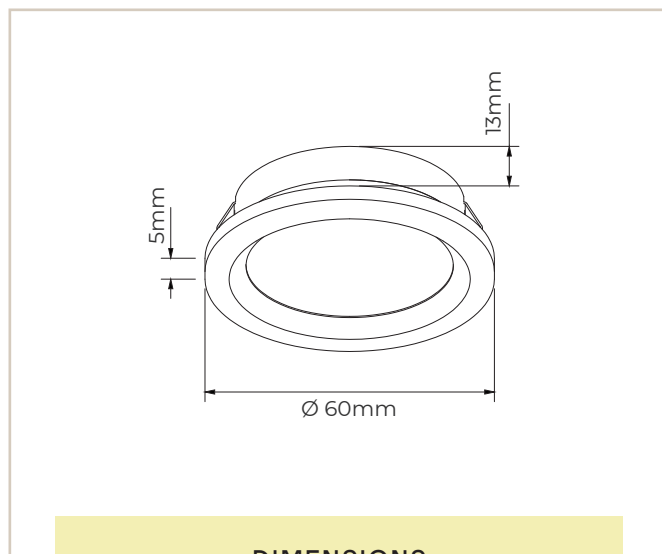
Other colours on request



Narrow  
15

Medium  
24

Wide  
36



DIMENSIONS

### Light Technical Information

<b>W source</b>	4.8	<b>Lamp Type</b>	COB	<b>Over voltage protection</b>	/
<b>W system</b>	4.9	<b>Voltage (V)</b>	15.5-18.5	<b>Ballast losses (W)</b>	/
<b>lm source</b>	484/513/542/548	<b>LED Current (mA)</b>	280	<b>Control</b>	Triac
<b>lm system</b>	285/305/319/323	<b>MacAdam Step</b>	3	<b>UGR</b>	24.4
<b>Lm/W</b>	58/62/65/66	<b>LED numbers</b>	1	<b>GWT (C)</b>	650 C
<b>Lm in emergency mode</b>	/	<b>Tc (Ta25 C)</b>	69	<b>Rotation angle (°)</b>	355
<b>CCT</b>	2700/3000/4000/5000	<b>Life span LED</b>	50000H L70B50	<b>Tilting angle (°)</b>	/
<b>CRI</b>	95	<b>Power factor</b>	1	<b>Cutout (mm)</b>	Φ50
<b>Lamp code</b>	CXM-4-27-90-18-TC40	<b>Minimum dimming (%)</b>	1	<b>Looping</b>	/

### Specification – 2700K

Art number	EAN number	Text	CCT	Lm/W	Lm system	Colour	RAL
16010041700001	5715174021038	F Coin CO-DF2 5w CRI90 15°	2700K	58	285	Matt Black	RAL9004
16010040800001	5715174021045	Coin CO-DF2 5w CRI90 15°	2700K	58	285	Matt white	RAL9016
16010041700002	5715174021052	Coin CO-DF2 5w CRI95 15°	2700K	53	261	Matt Black	RAL9004
16010040800002	5715174021069	Coin CO-DF2 5w CRI95 15°	2700K	53	261	Matt white	RAL9016
16010041700003	5715174021076	Coin CO-DF2 5w CRI90 24°	2700K	58	285	Matt Black	RAL9004
16010040800003	5715174021083	Coin CO-DF2 5w CRI90 24°	2700K	58	285	Matt white	RAL9016
16010041700004	5715174021090	Coin CO-DF2 5w CRI95 24°	2700K	53	261	Matt Black	RAL9004
16010040800004	5715174021106	Coin CO-DF2 5w CRI95 24°	2700K	53	261	Matt white	RAL9016
16010041700005	5715174021113	Coin CO-DF2 5w CRI90 36°	2700K	58	285	Matt Black	RAL9004
16010040800005	5715174021120	Coin CO-DF2 5w CRI90 36°	2700K	58	285	Matt white	RAL9016
16010041700006	5715174021137	Coin CO-DF2 5w CRI95 36°	2700K	53	261	Matt Black	RAL9004
16010040800006	5715174021144	Coin CO-DF2 5w CRI95 36°	2700K	53	261	Matt white	RAL9016

### Specification – 3000K

Art number	EAN number	Text	CCT	Lm/W	Lm system	Colour	RAL
16010041700007	5715174021151	Coin CO-DF2 5w CRI90 15°	3000K	62	305	Matt Black	RAL9004
16010040800007	5715174021168	Coin CO-DF2 5w CRI90 15°	3000K	62	305	Matt white	RAL9016
16010041700008	5715174021175	Coin CO-DF2 5w CRI95 15°	3000K	55	271	Matt Black	RAL9004
16010040800008	5715174021182	Coin CO-DF2 5w CRI95 15°	3000K	55	271	Matt white	RAL9016
16010041700009	5715174021199	Coin CO-DF2 5w CRI90 24°	3000K	62	305	Matt Black	RAL9004
16010040800009	5715174021205	Coin CO-DF2 5w CRI90 24°	3000K	62	305	Matt white	RAL9016
16010041700010	5715174021212	Coin CO-DF2 5w CRI95 24°	3000K	55	271	Matt Black	RAL9004
16010040800010	5715174021229	Coin CO-DF2 5w CRI95 24°	3000K	55	271	Matt white	RAL9016
16010041700011	5715174021236	Coin CO-DF2 5w CRI90 36°	3000K	62	305	Matt Black	RAL9004
16010040800011	5715174021243	Coin CO-DF2 5w CRI90 36°	3000K	62	305	Matt white	RAL9016
16010041700012	5715174021250	Coin CO-DF2 5w CRI95 36°	3000K	55	271	Matt Black	RAL9004
16010040800012	5715174021267	Coin CO-DF2 5w CRI95 36°	3000K	55	271	Matt white	RAL9016

### Specification – 4000K

Art number	EAN number	Text	CCT	Lm/W	Lm system	Colour	RAL
16010041700013	5715174021274	Coin CO-DF2 5w CRI90 15°	4000K	65	319	Matt Black	RAL9004
16010040800013	5715174021281	Coin CO-DF2 5w CRI90 15°	4000K	65	319	Matt white	RAL9016
16010041700014	5715174021298	Coin CO-DF2 5w CRI95 15°	4000K	58	285	Matt Black	RAL9004
16010040800014	5715174021304	Coin CO-DF2 5w CRI95 15°	4000K	58	285	Matt white	RAL9016
16010041700015	5715174021311	Coin CO-DF2 5w CRI90 24°	4000K	65	319	Matt Black	RAL9004
16010040800015	5715174021328	Coin CO-DF2 5w CRI90 24°	4000K	65	319	Matt white	RAL9016
16010041700016	5715174021335	Coin CO-DF2 5w CRI95 24°	4000K	58	285	Matt Black	RAL9004
16010040800016	5715174021342	Coin CO-DF2 5w CRI95 24°	4000K	58	285	Matt white	RAL9016
16010041700017	5715174021359	Coin CO-DF2 5w CRI90 36°	4000K	65	319	Matt Black	RAL9004
16010040800017	5715174021366	Coin CO-DF2 5w CRI90 36°	4000K	65	319	Matt white	RAL9016
16010041700018	5715174021373	Coin CO-DF2 5w CRI95 36°	4000K	58	285	Matt Black	RAL9004
16010040800018	5715174021380	Coin CO-DF2 5w CRI95 36°	4000K	58	285	Matt white	RAL9016

## Accessories

Art number	EAN number	Text	Colour	RAL
16040041700001	5715174021519	Coin CO-DFC2 Surface Mounting Cover	Matt Black	RAL9004
16040040800001	5715174021526	Coin CO-DFC2 Surface Mounting Cover	Matt white	RAL9016

## Driver

Art number	EAN number	Text
19040060000077	5715174150004	24w Constant voltage 24V driver Triac
19040060000125	5715174150011	40w Constant voltage 24V driver Triac
19040060000126	5715174150028	75w Constant voltage 24V driver Triac
19040060000127	5715174150035	150w Constant voltage 24V driver Triac
19040060000128	5715174150042	200w Constant voltage 24V driver Triac