

SIGNIFICANT LIGHTING | ICONIC PROJECTS | BETTER BUSINESS

When your projects get ambitious don't think ordinary

The lighting we provide means you can present installations that deliver experiences your customers – and their users – haven't seen before. Whether subtle or in your face, this enables you to set new standards for visual impact, end-user satisfaction and low cost of ownership throughout high-profile spaces.

HERE&AFTER

info@hereandafter.com

hereandafter.com



Invisible sources, visible impacts

The latest-generation LEDs and deeply recessed reflectors in Gravity downlights and wallwashers provide exceptional lighting effects that you can rotate through 355 degrees and tilt at virtually any angle. There are also fixed units, if you prefer.

You can mount and integrate them virtually anywhere, including surfaces, panels, ceilings and fixtures. Installers can easily mount Gravity lighting fixtures inside the insulation and within the vapour barrier of any structure – with no extra manpower-intensive alterations or practical bother.

As with most other here&after design concepts, the Gravity range is under continual development and extension. This is made easy because we can combine the same components and fixtures in countless different ways, with a frame, Trimless or as a surface, and all in different sizes, to give you a remarkable wide range of choice for high-quality downlights and wallwashers.



DESIGNED BY ERIK PADKJÆR LARSEN

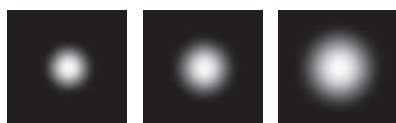
LED IP20 650°

5 YEARS WARRENTY



Other colours on request

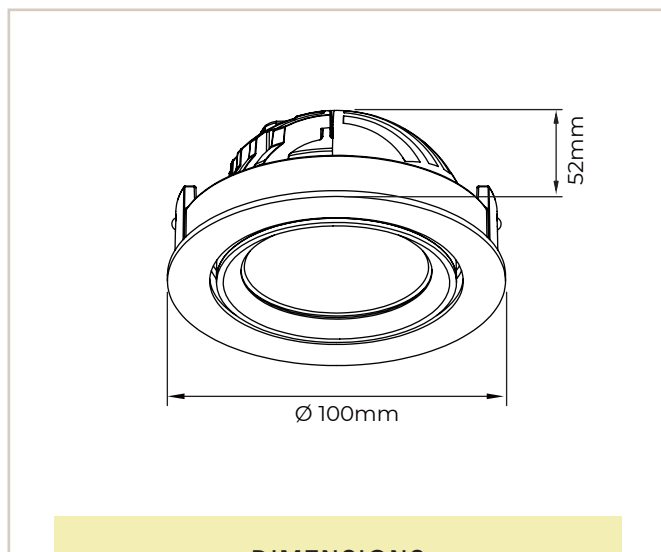
CB



Narrow 17

Medium 24

Wide 36



DIMENSIONS

Light Technical Information

W source	12	Lamp Type	COB	Ripple (%)	<5
W system	14	Voltage (V)	31-37	Ballast losses (W)	/
lm source	1478/ 1542/ 1621/1695	LED Current (mA)	350	Control	Triac/ DALI/ 0-10V
lm system	1235/ 1288/ 1354/ 1416	MacAdam Step	3	UGR	20
Lm/W	87/ 91/ 95/ 100	LED numbers	1	GWT (°C)	650
Lm in emergency mode	/	Tc (Ta25 °C)	73	Rotation angle (°)	355
CCT	2700/ 3000/ 4000/ 5000	Life span LED	50000H L70B50	Tilting angle (°)	30
CRI	90/ 95	Power factor	PF>0.9	Cutout (mm)	/
Lamp code	CXM-9-30-90-36-TC40	Minimum dimming (%)	1	Looping	/

Specification – 2700K

Art number	EAN number	Text	CCT	Lm/W	Lm system	Colour	RAL
16010181800001	5715174133373	Gravity GR-D2 12w CRI90 17°	2700K	87	1235	Sandy Black	RAL9004
16010180900001	5715174133380	Gravity GR-D2 12w CRI90 17°	2700K	87	1235	Sandy white	RAL9016
16010181800002	5715174133397	Gravity GR-D2 12w CRI95 17°	2700K	75	1067	Sandy Black	RAL9004
16010180900002	5715174133403	Gravity GR-D2 12w CRI95 17°	2700K	75	1067	Sandy white	RAL9016
16010181800003	5715174133410	Gravity GR-D2 12w CRI90 24°	2700K	87	1235	Sandy Black	RAL9004
16010180900003	5715174133427	Gravity GR-D2 12w CRI90 24°	2700K	87	1235	Sandy white	RAL9016
16010181800004	5715174133434	Gravity GR-D2 12w CRI95 24°	2700K	75	1067	Sandy Black	RAL9004
16010180900004	5715174133441	Gravity GR-D2 12w CRI95 24°	2700K	75	1067	Sandy white	RAL9016
16010181800005	5715174133458	Gravity GR-D2 12w CRI90 36°	2700K	87	1235	Sandy Black	RAL9004
16010180900005	5715174133465	Gravity GR-D2 12w CRI90 36°	2700K	87	1235	Sandy white	RAL9016
16010181800006	5715174133472	Gravity GR-D2 12w CRI95 36°	2700K	75	1067	Sandy Black	RAL9004
16010180900006	5715174133489	Gravity GR-D2 12w CRI95 36°	2700K	75	1067	Sandy white	RAL9016

Specification – 3000K

Art number	EAN number	Text	CCT	Lm/W	Lm system	Colour	RAL
16010181800007	5715174133496	Gravity GR-D2 12w CRI90 17°	3000K	91	1288	Sandy Black	RAL9004
16010180900007	5715174133502	Gravity GR-D2 12w CRI90 17°	3000K	91	1288	Sandy white	RAL9016
16010181800008	5715174133519	Gravity GR-D2 12w CRI95 17°	3000K	78	1122	Sandy Black	RAL9004
16010180900008	5715174133526	Gravity GR-D2 12w CRI95 17°	3000K	78	1122	Sandy white	RAL9016
16010181800009	5715174133533	Gravity GR-D2 12w CRI90 24°	3000K	91	1288	Sandy Black	RAL9004
16010180900009	5715174133540	Gravity GR-D2 12w CRI90 24°	3000K	91	1288	Sandy white	RAL9016
16010181800010	5715174133557	Gravity GR-D2 12w CRI95 24°	3000K	78	1122	Sandy Black	RAL9004
16010180900010	5715174133564	Gravity GR-D2 12w CRI95 24°	3000K	78	1122	Sandy white	RAL9016
16010181800011	5715174133571	Gravity GR-D2 12w CRI90 36°	3000K	91	1288	Sandy Black	RAL9004
16010180900011	5715174133588	Gravity GR-D2 12w CRI90 36°	3000K	91	1288	Sandy white	RAL9016
16010181800012	5715174133595	Gravity GR-D2 12w CRI95 36°	3000K	78	1122	Sandy Black	RAL9004
16010180900012	5715174133601	Gravity GR-D2 12w CRI95 36°	3000K	78	1122	Sandy white	RAL9016

Specification – 4000K

Art number	EAN number	Text	CCT	Lm/W	Lm system	Colour	RAL
16010181800013	5715174133618	Gravity GR-D2 12w CRI90 17°	4000K	95	1354	Sandy Black	RAL9004
16010180900013	5715174133625	Gravity GR-D2 12w CRI90 17°	4000K	95	1354	Sandy white	RAL9016
16010181800014	5715174133632	Gravity GR-D2 12w CRI95 17°	4000K	86	1227	Sandy Black	RAL9004
16010180900014	5715174133649	Gravity GR-D2 12w CRI95 17°	4000K	86	1227	Sandy white	RAL9016
16010181800015	5715174133656	Gravity GR-D2 12w CRI90 24°	4000K	95	1354	Sandy Black	RAL9004
16010180900015	5715174133663	Gravity GR-D2 12w CRI90 24°	4000K	95	1354	Sandy white	RAL9016
16010181800016	5715174133670	Gravity GR-D2 12w CRI95 24°	4000K	86	1227	Sandy Black	RAL9004
16010180900016	5715174133687	Gravity GR-D2 12w CRI95 24°	4000K	86	1227	Sandy white	RAL9016
16010181800017	5715174133694	Gravity GR-D2 12w CRI90 36°	4000K	95	1354	Sandy Black	RAL9004
16010180900017	5715174133700	Gravity GR-D2 12w CRI90 36°	4000K	95	1354	Sandy white	RAL9016
16010181800018	5715174133717	Gravity GR-D2 12w CRI95 36°	4000K	86	1227	Sandy Black	RAL9004
16010180900018	5715174133724	Gravity GR-D2 12w CRI95 36°	4000K	86	1227	Sandy white	RAL9016

Specification – 5000K

Art number	EAN number	Text	CCT	Lm/W	Lm system	Colour	RAL
16010181800019	5715174133731	Gravity GR-D2 12w CRI90 17°	5000K	100	1416	Sandy Black	RAL9004
16010180900019	5715174133748	Gravity GR-D2 12w CRI90 17°	5000K	100	1416	Sandy white	RAL9016
16010181800020	5715174133755	Gravity GR-D2 12w CRI95 17°	5000K	86	1223	Sandy Black	RAL9004
16010180900020	5715174133762	Gravity GR-D2 12w CRI95 17°	5000K	86	1223	Sandy white	RAL9016
16010181800021	5715174133779	Gravity GR-D2 12w CRI90 24°	5000K	100	1416	Sandy Black	RAL9004
16010180900021	5715174133786	Gravity GR-D2 12w CRI90 24°	5000K	100	1416	Sandy white	RAL9016
16010181800022	5715174133793	Gravity GR-D2 12w CRI95 24°	5000K	86	1223	Sandy Black	RAL9004
16010180900022	5715174133809	Gravity GR-D2 12w CRI95 24°	5000K	86	1223	Sandy white	RAL9016
16010181800023	5715174133816	Gravity GR-D2 12w CRI90 36°	5000K	100	1416	Sandy Black	RAL9004
16010180900023	5715174133823	Gravity GR-D2 12w CRI90 36°	5000K	100	1416	Sandy white	RAL9016
16010181800024	5715174133830	Gravity GR-D2 12w CRI95 36°	5000K	86	1223	Sandy Black	RAL9004
16010180900024	5715174133847	Gravity GR-D2 12w CRI95 36°	5000K	86	1223	Sandy white	RAL9016