

SIGNIFICANT LIGHTING | ICONIC PROJECTS | BETTER BUSINESS

When your projects get ambitious don't think ordinary

The lighting we provide means you can present installations that deliver experiences your customers – and their users – haven't seen before. Whether subtle or in your face, this enables you to set new standards for visual impact, end-user satisfaction and low cost of ownership throughout high-profile spaces.

HERE&AFTER

info@hereandafter.com

hereandafter.com

PRODUCT DATASHEET

GRAVITY Module Downlight 107mm

GR-DM2

Gravity DM data sheet

Gravity DW is a minimalistic adjustable recessed downlight. With its small diameter and low built-in height this is a very compact and high efficiency luminaire, which suitable for built-in in ceilings of all kinds or where there is no space.

The Gravity ´s compact structure is based on aluminium, which gives an exceptionally good passive dissipation, which provide a long lifespan. The patented and compact engineered adjustment system allows

Gravity to rotate 355° and tilted 30° without taking up much space. With a high efficiency reflector, recessed into the luminaires, the gravity provides a high level of visual comfort and low glare.

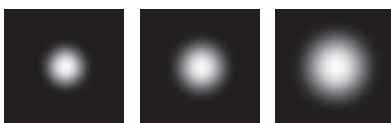
DESIGNED BY ERIK PADKJÆR LARSEN

LED IP20    650° 

5 YEARS WARRANTY  



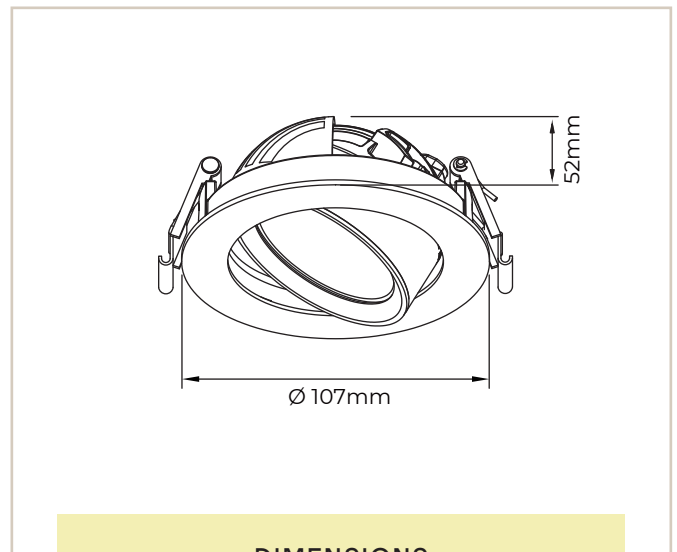
Other colours on request



Narrow
17

Medium
24

Wide
36



DIMENSIONS

Light Technical Information

W source	12	Lamp Type	COB	Ripple (%)	<5
W system	14	Voltage (V)	31-37	Ballast losses (W)	/
lm source	1478/ 1542/ 1621/ 1695	LED Current (mA)	350	Control	Triac/ DALI/ 0-10V
lm system	1235/ 1288/ 1354/ 1416	MacAdam Step	3	UGR	20
Lm/W	87/ 91/ 95/ 100	LED numbers	1	GWT (°C)	650
Lm in emergency mode	/	Tc (Ta25 °C)	73	Rotation angle (°)	355
CCT	2700/ 3000/ 4000/ 5000	Life span LED	50000H L70B50	Tilting angle (°)	30
CRI	90/ 95	Power factor	PF>0.9	Cutout (mm)	Φ100
Lamp code	CXM-9-30-90-36-TC40	Minimum dimming (%)	1	Looping	/

Specification – 2700K

Art number	EAN number	Text	CCT	Lm/W	Lm system	Colour	RAL
16010131800001	5715174131935	Gravity GR-DM2 12w CRI90 17°	2700K	87	1235	Sandy Black	RAL9004
16010130900001	5715174131942	Gravity GR-DM2 12w CRI90 17°	2700K	87	1235	Sandy white	RAL9016
16010131800002	5715174131959	Gravity GR-DM2 12w CRI95 17°	2700K	75	1067	Sandy Black	RAL9004
16010130900002	5715174131966	Gravity GR-DM2 12w CRI95 17°	2700K	75	1067	Sandy white	RAL9016
16010131800003	5715174131973	Gravity GR-DM2 12w CRI90 24°	2700K	87	1235	Sandy Black	RAL9004
16010130900003	5715174131980	Gravity GR-DM2 12w CRI90 24°	2700K	87	1235	Sandy white	RAL9016
16010131800004	5715174131997	Gravity GR-DM2 12w CRI95 24°	2700K	75	1067	Sandy Black	RAL9004
16010130900004	5715174132000	Gravity GR-DM2 12w CRI95 24°	2700K	75	1067	Sandy white	RAL9016
16010131800005	5715174132017	Gravity GR-DM2 12w CRI90 36°	2700K	87	1235	Sandy Black	RAL9004
16010130900005	5715174132024	Gravity GR-DM2 12w CRI90 36°	2700K	87	1235	Sandy white	RAL9016
16010131800006	5715174132031	Gravity GR-DM2 12w CRI95 36°	2700K	75	1067	Sandy Black	RAL9004
16010130900006	5715174132048	Gravity GR-DM2 12w CRI95 36°	2700K	75	1067	Sandy white	RAL9016

Specification – 3000K

Art number	EAN number	Text	CCT	Lm/W	Lm system	Colour	RAL
16010131800007	5715174132055	Gravity GR-DM2 12w CRI90 17°	3000K	91	1288	Sandy Black	RAL9004
16010130900007	5715174132062	Gravity GR-DM2 12w CRI90 17°	3000K	91	1288	Sandy white	RAL9016
16010131800008	5715174132079	Gravity GR-DM2 12w CRI95 17°	3000K	78	1122	Sandy Black	RAL9004
16010130900008	5715174132086	Gravity GR-DM2 12w CRI95 17°	3000K	78	1122	Sandy white	RAL9016
16010131800009	5715174132093	Gravity GR-DM2 12w CRI90 24°	3000K	91	1288	Sandy Black	RAL9004
16010130900009	5715174132109	Gravity GR-DM2 12w CRI90 24°	3000K	91	1288	Sandy white	RAL9016
16010131800010	5715174132116	Gravity GR-DM2 12w CRI95 24°	3000K	78	1122	Sandy Black	RAL9004
16010130900010	5715174132123	Gravity GR-DM2 12w CRI95 24°	3000K	78	1122	Sandy white	RAL9016
16010131800011	5715174132130	Gravity GR-DM2 12w CRI90 36°	3000K	91	1288	Sandy Black	RAL9004
16010130900011	5715174132147	Gravity GR-DM2 12w CRI90 36°	3000K	91	1288	Sandy white	RAL9016
16010131800012	5715174132154	Gravity GR-DM2 12w CRI95 36°	3000K	78	1122	Sandy Black	RAL9004
16010130900012	5715174132161	Gravity GR-DM2 12w CRI95 36°	3000K	78	1122	Sandy white	RAL9016

Specification – 4000K

Art number	EAN number	Text	CCT	Lm/W	Lm system	Colour	RAL
16010131800013	5715174132178	Gravity GR-DM2 12w CRI90 17°	4000K	95	1354	Sandy Black	RAL9004
16010130900013	5715174132185	Gravity GR-DM2 12w CRI90 17°	4000K	95	1354	Sandy white	RAL9016
16010131800014	5715174132192	Gravity GR-DM2 12w CRI95 17°	4000K	86	1227	Sandy Black	RAL9004
16010130900014	5715174132208	Gravity GR-DM2 12w CRI95 17°	4000K	86	1227	Sandy white	RAL9016
16010131800015	5715174132215	Gravity GR-DM2 12w CRI90 24°	4000K	95	1354	Sandy Black	RAL9004
16010130900015	5715174132222	Gravity GR-DM2 12w CRI90 24°	4000K	95	1354	Sandy white	RAL9016
16010131800016	5715174132239	Gravity GR-DM2 12w CRI95 24°	4000K	86	1227	Sandy Black	RAL9004
16010130900016	5715174132246	Gravity GR-DM2 12w CRI95 24°	4000K	86	1227	Sandy white	RAL9016
16010131800017	5715174132253	Gravity GR-DM2 12w CRI90 36°	4000K	95	1354	Sandy Black	RAL9004
16010130900017	5715174132260	Gravity GR-DM2 12w CRI90 36°	4000K	95	1354	Sandy white	RAL9016
16010131800018	5715174132277	Gravity GR-DM2 12w CRI95 36°	4000K	86	1227	Sandy Black	RAL9004
16010130900018	5715174132284	Gravity GR-DM2 12w CRI95 36°	4000K	86	1227	Sandy white	RAL9016

Specification – 5000K

Art number	EAN number	Text	CCT	Lm/W	Lm system	Colour	RAL
16010131800019	5715174132291	Gravity GR-DM2 12w CRI90 17°	5000K	100	1416	Sandy Black	RAL9004
16010130900019	5715174132307	Gravity GR-DM2 12w CRI90 17°	5000K	100	1416	Sandy white	RAL9016
16010131800020	5715174132314	Gravity GR-DM2 12w CRI95 17°	5000K	86	1223	Sandy Black	RAL9004
16010130900020	5715174132321	Gravity GR-DM2 12w CRI95 17°	5000K	86	1223	Sandy white	RAL9016
16010131800021	5715174132338	Gravity GR-DM2 12w CRI90 24°	5000K	100	1416	Sandy Black	RAL9004
16010130900021	5715174132345	Gravity GR-DM2 12w CRI90 24°	5000K	100	1416	Sandy white	RAL9016
16010131800022	5715174132352	Gravity GR-DM2 12w CRI95 24°	5000K	86	1223	Sandy Black	RAL9004
16010130900022	5715174132369	Gravity GR-DM2 12w CRI95 24°	5000K	86	1223	Sandy white	RAL9016
16010131800023	5715174132376	Gravity GR-DM2 12w CRI90 36°	5000K	100	1416	Sandy Black	RAL9004
16010130900023	5715174132383	Gravity GR-DM2 12w CRI90 36°	5000K	100	1416	Sandy white	RAL9016
16010131800024	5715174132390	Gravity GR-DM2 12w CRI95 36°	5000K	86	1223	Sandy Black	RAL9004
16010130900024	5715174132406	Gravity GR-DM2 12w CRI95 36°	5000K	86	1223	Sandy white	RAL9016