

SIGNIFICANT LIGHTING | ICONIC PROJECTS | BETTER BUSINESS

## When your projects get ambitious don't think ordinary

The lighting we provide means you can present installations that deliver experiences your customers – and their users – haven't seen before. Whether subtle or in your face, this enables you to set new standards for visual impact, end-user satisfaction and low cost of ownership throughout high-profile spaces.

**HERE&AFTER**

[info@hereandafter.com](mailto:info@hereandafter.com)

[hereandafter.com](http://hereandafter.com)



### Hover P data sheet

Hover P is part of a pendant series, which varies in sizes and functionality. With its unique shape and Nordic style, Hover P is ideal for numerous scene settings, such as, dining areas, conference rooms, zenithally accent lighting and much more.

The Hover P is produced of aluminium and. The aluminium gives the luminaire a particularly good passive dissipation, which provide an exceptionally long lifespan. With a high efficiency reflector, position deep into the luminaire, the Hover P provide a high level of visual comfort and low glare. A Triac driver is integrated in the body of the pendant, which offer the option to connect directly to main power source, with or without a canopy. The fabric power cable which match the same colour as the external finish of the pendant, gives the pendant its final touch.



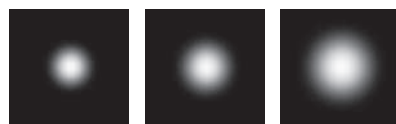
### DESIGNED BY ERIK PADKJÆR LARSEN

LED IP20 650°

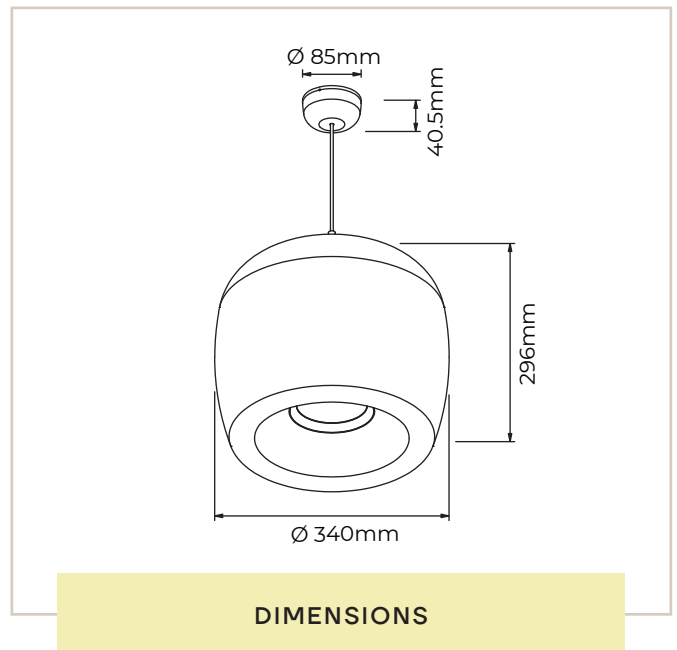
5 YEARS WARRANTY



Other colours on request



Narrow 15 Medium 24 Wide 40



### Light Technical Information

W source	9	Lamp Type	COB	Ripple (%)	<5
W system	11	Voltage (V)	34-38	Over voltage protection	/
lm source	981/ 1059/ 1137	LED Current (mA)	250	Ballast losses (W)	/
lm system	828/ 895/ 960	MacAdam Step	3	Control	Triac
Lm/W	79/ 85/ 92	LED numbers	1	UGR	-3.5
Lm in emergency mode	/	Tc (Ta25 °C)	75	GWT (°C)	650
CCT	2700/3000/4000	Life span LED	50000H L70B50	Rotation angle (°)	355
CRI	95	Power factor	PF>0.9	Tilting angle (°)	/
Lamp code	CXM-9-30-90-36-TC30	Minimum dimming (%)	1	Cutout (mm)	/
Looping	/	/	/	/	/

### Specification – 2700K

Art number	EAN number	Text	CCT	Lm/W	Lm system	Colour	RAL
13010231800002	5715174071118	Hover HO-P2 9w CRI95 15°	2700K	79	828	Black Sandy	RAL9004
13010230900002	5715174071125	Hover HO-P2 9w CRI95 15°	2700K	79	828	White Sandy	RAL9016
13010231800004	5715174071156	Hover HO-P2 9w CRI95 24°	2700K	79	828	Black Sandy	RAL9004
13010230900004	5715174071163	Hover HO-P2 9w CRI95 24°	2700K	79	828	White Sandy	RAL9016
13010231800006	5715174071194	Hover HO-P2 9w CRI95 40°	2700K	79	828	Black Sandy	RAL9004
13010230900006	5715174071200	Hover HO-P2 9w CRI95 40°	2700K	79	828	White Sandy	RAL9016

### Specification – 3000K

Art number	EAN number	Text	CCT	Lm/W	Lm system	Colour	RAL
13010231800008	5715174071231	Hover HO-P2 9w CRI95 15°	3000K	85	895	Black Sandy	RAL9004
13010230900008	5715174071248	Hover HO-P2 9w CRI95 15°	3000K	85	895	White Sandy	RAL9016
13010231800010	5715174071279	Hover HO-P2 9w CRI95 24°	3000K	85	895	Black Sandy	RAL9004
13010230900010	5715174071286	Hover HO-P2 9w CRI95 24°	3000K	85	895	White Sandy	RAL9016
13010231800012	5715174071316	Hover HO-P2 9w CRI95 40°	3000K	85	895	Black Sandy	RAL9004
13010230900012	5715174071323	Hover HO-P2 9w CRI95 40°	3000K	85	895	White Sandy	RAL9016

### Specification – 4000K

Art number	EAN number	Text	CCT	Lm/W	Lm system	Colour	RAL
13010231800014	5715174071354	Hover HO-P2 9w CRI95 15°	4000K	92	960	Black Sandy	RAL9004
13010230900014	5715174071361	Hover HO-P2 9w CRI95 15°	4000K	92	960	White Sandy	RAL9016
13010231800016	5715174071392	Hover HO-P2 9w CRI95 24°	4000K	92	960	Black Sandy	RAL9004
13010230900016	5715174071408	Hover HO-P2 9w CRI95 24°	4000K	92	960	White Sandy	RAL9016
13010231800018	5715174071439	Hover HO-P2 9w CRI95 40°	4000K	92	960	Black Sandy	RAL9004
13010230900018	5715174071446	Hover HO-P2 9w CRI95 40°	4000K	92	960	White Sandy	RAL9016