

SIGNIFICANT LIGHTING | ICONIC PROJECTS | BETTER BUSINESS

When your projects get ambitious don't think ordinary

The lighting we provide means you can present installations that deliver experiences your customers – and their users – haven't seen before. Whether subtle or in your face, this enables you to set new standards for visual impact, end-user satisfaction and low cost of ownership throughout high-profile spaces.

HERE&AFTER

info@hereandafter.com

hereandafter.com



Nano spot data sheet

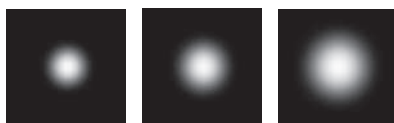
Nano spot is a miniaturised adjustable spotlight with magnetic adapter for tool-free installation on the 24V low voltage Nano track. The design, flexible construction and width range accessories, gives the Nano track system a wide range of applications options and only the imagination is the limit.

The Nano spot structure is based on aluminium and thermoplastic. The aluminium gives the spotlight a very good passive dissipation, which provides a very long lifespan. In the thermoplastic adapter, there is a DC/DC driver circuit with an integrated dimmable function. The swivel joints allow the spot to rotate 355° and tilted by 90°. With high efficiency reflectors, which are positioned deep in the spot, the Nano spot provides a high level of visual comfort and low glare.

DESIGNED BY ERIK PADKJÆR LARSEN

LED IP20    650° 

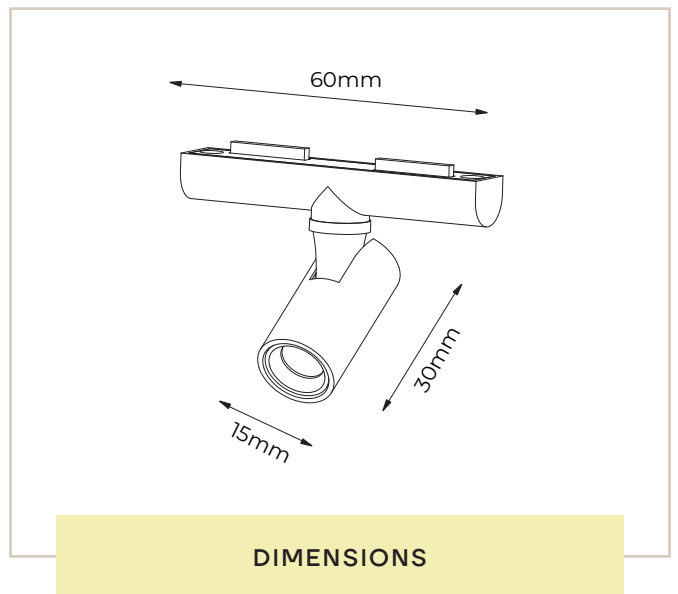
5 YEARS WARRANTY  



Narrow
18

Medium
24

Wide
36



Light Technical Information

W source	1	Lamp Type	SMD	Ripple (%)	<5
W system	1.3	Voltage (V)	2.5-3.1	Over voltage protection	/
lm source	93/100/114/121	LED Current (mA)	350mA	Ballast losses (W)	/
lm system	61/65/74/79	MacAdam Step	3	Control	Triac
Lm/W	47/50/57/61	LED numbers	1	UGR	17.3
Lm in emergency mode	/	Tc (Ta25°C)	50	GWT (°C)	650
CCT	2700/3000/4000	Life span LED	50000H L70B50	Rotation angle (°)	355
CRI	95	Power factor	PF>0.9	Tilting angle (°)	90
Lamp code	SST-20	Minimum dimming (%)	1	Cutout (mm)	19
Looping	/	/	/	/	/

Specification – 2700K

Art number	EAN number	Text	CCT	Lm/W	Lm system	Colour	RAL
16030011800001	5715174000002	Nano NA-S1 1w CRI95 18°	2700K	47	61	Sandy Black	RAL9004
16030011800002	5715174000019	Nano NA-S1 1w CRI95 24°	2700K	47	61	Sandy Black	RAL9004
16030011800003	5715174000026	Nano NA-S1 1w CRI95 36°	2700K	47	61	Sandy Black	RAL9004
16030010900001	5715174000033	Nano NA-S1 1w CRI95 18°	2700K	47	61	Sandy White	RAL9016
16030010900002	5715174000040	Nano NA-S1 1w CRI95 24°	2700K	47	61	Sandy White	RAL9016
16030010900003	5715174000057	Nano NA-S1 1w CRI95 36°	2700K	47	61	Sandy White	RAL9016

Specification – 3000K

Art number	EAN number	Text	CCT	Lm/W	Lm system	Colour	RAL
16030011800004	5715174000064	Nano NA-S1 1w CRI95 18°	3000K	50	65	Sandy Black	RAL9004
16030011800005	5715174000071	Nano NA-S1 1w CRI95 24°	3000K	50	65	Sandy Black	RAL9004
16030011800006	5715174000088	Nano NA-S1 1w CRI95 36°	3000K	50	65	Sandy Black	RAL9004
16030010900004	5715174000095	Nano NA-S1 1w CRI95 18°	3000K	50	65	Sandy White	RAL9016
16030010900005	5715174000101	Nano NA-S1 1w CRI95 24°	3000K	50	65	Sandy White	RAL9016
16030010900006	5715174000118	Nano NA-S1 1w CRI95 36°	3000K	50	65	Sandy White	RAL9016

Specification – 4000K

Art number	EAN number	Text	CCT	Lm/W	Lm system	Colour	RAL
16030011800007	5715174000125	Nano NA-S1 1w CRI95 18°	4000K	57	74	Sandy Black	RAL9004
16030011800008	5715174000132	Nano NA-S1 1w CRI95 24°	4000K	57	74	Sandy Black	RAL9004
16030011800009	5715174000149	Nano NA-S1 1w CRI95 36°	4000K	57	74	Sandy Black	RAL9004
16030010900007	5715174000156	Nano NA-S1 1w CRI95 18°	4000K	57	74	Sandy White	RAL9016
16030010900008	5715174000163	Nano NA-S1 1w CRI95 24°	4000K	57	74	Sandy White	RAL9016
16030010900009	5715174000170	Nano NA-S1 1w CRI95 36°	4000K	57	74	Sandy White	RAL9016

Accessories

Art number	EAN number	Text	Colour	RAL
16040061800001	5715174150608	Nano NA-TRC300 0.3M Semi Round Track only	Sandy Black	RAL9004
16040060900001	5715174150615	Nano NA-TRC300 0.3M Semi Round Track only	Sandy White	RAL9016
16040011800001	5715174150622	Nano NA-TRC1000 1M Semi Round Track only	Sandy Black	RAL9004
16040010900001	5715174150639	Nano NA-TRC1000 1M Semi Round Track only	Sandy White	RAL9016
16040021800001	5715174150646	Nano NA-TRC2000 2M Semi Round Track only	Sandy Black	RAL9004
16040020900001	5715174150653	Nano NA-TRC2000 2M Semi Round Track only	Sandy White	RAL9016
16040041800001	5715174150684	Nano NA-TRC2 End Cap	Sandy Black	RAL9004
16040040900001	5715174150691	Nano NA-TRC2 End Cap	Sandy White	RAL9016
16040051800001	5715174150707	Nano NA-TRC3 Furniture Holder with Feeder	Sandy Black	RAL9004
16040050900001	5715174150714	Nano NA-TRC3 Furniture Holder with Feeder	Sandy White	RAL9016
16040192100001	5715174150721	Nano NA-TRC5 End Connector	Sandy Black	RAL9004
16040191600001	5715174150738	Nano NA-TRC5 End Connector	Sandy White	RAL9016
16040202100001	5715174150745	Nano NA-TRC6 Middle Connector	Sandy Black	RAL9004
16040201600001	5715174150752	Nano NA-TRC6 Middle Connector	Sandy White	RAL9016
16040212100001	5715174150769	Nano NA-TRC7 L Connector	Sandy Black	RAL9004
16040211600001	5715174150776	Nano NA-TRC7 L Connector	Sandy White	RAL9016
16040222100001	5715174150783	Nano NA-TRC8 T Connector	Sandy Black	RAL9004
16040221600001	5715174150790	Nano NA-TRC8 T Connector	Matte White	RAL9016
16040231800001	5715174150806	Nano NA-TRC12 Recessed Outlet	Sandy Black	RAL9004
16040230900001	5715174150813	Nano NA-TRC12 Recessed Outlet	Sandy White	RAL9016
16040241800001	5715174150820	Nano NA-TRC13 Trimless Outlet	Sandy Black	RAL9004
16040240900001	5715174150837	Nano NA-TRC13 Trimless Outlet	Sandy White	RAL9016
16040251800001	5715174150844	Nano NA-TRC14 Surface mounted Outlet	Sandy Black	RAL9004
16040250900001	5715174150851	Nano NA-TRC14 Surface mounted Outlet	Sandy White	RAL9016

Driver

Art number	EAN number	Text
19040060000077	5715174150004	24w Constant voltage 24V driver Triac
19040060000125	5715174150011	40w Constant voltage 24V driver Triac
19040060000126	5715174150028	75w Constant voltage 24V driver Triac
19040060000127	5715174150035	150w Constant voltage 24V driver Triac
19040060000128	5715174150042	200w Constant voltage 24V driver Triac