

SIGNIFICANT LIGHTING | ICONIC PROJECTS | BETTER BUSINESS

When your projects get ambitious don't think ordinary

The lighting we provide means you can present installations that deliver experiences your customers – and their users – haven't seen before. Whether subtle or in your face, this enables you to set new standards for visual impact, end-user satisfaction and low cost of ownership throughout high-profile spaces.

HERE&AFTER

info@hereandafter.com

hereandafter.com



Nano spot data sheet

Nano spot is a miniaturised adjustable spotlight with magnetic adapter for tool-free installation on the 24V low voltage Nano track. The design, flexible construction and width range accessories, gives the Nano track system a wide range of applications options and only the imagination is the limit.

The Nano spot structure is based on aluminium and thermoplastic. The aluminium gives the spotlight a very good passive dissipation, which provides a very long lifespan. In the thermoplastic adapter, there is a DC/DC driver circuit with an integrated dimmable function. The swivel joints allow the spot to rotate 355° and tilted by 90°. With high efficiency reflectors, which are positioned deep in the spot, the Nano spot provides a high level of visual comfort and low glare.

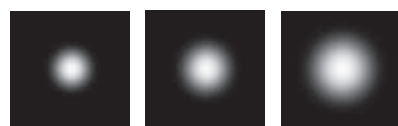
DESIGNED BY ERIK PADKJÆR LARSEN

LED IP20    650° 

5 YEARS WARRANTY  



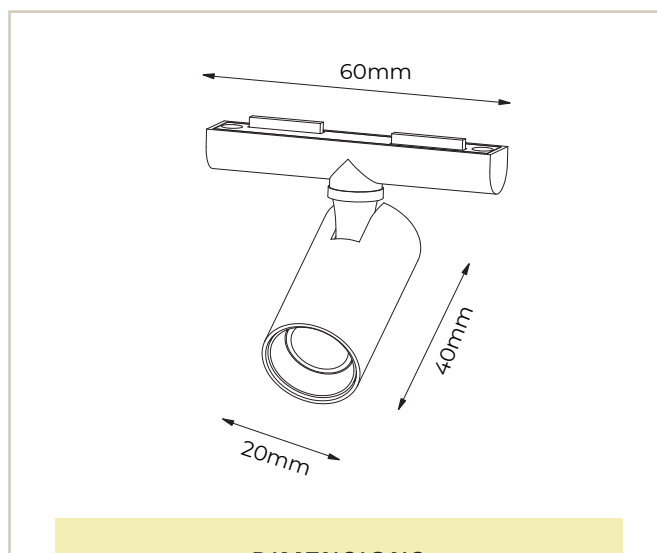
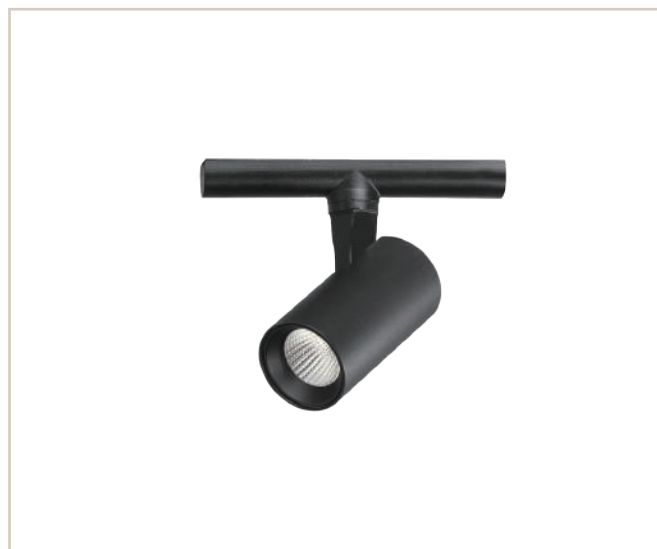
Other colours on request



Narrow 20

Medium 30

Wide 40



DIMENSIONS

Light Technical Information

W source	3	Lamp Type	COB	Ripple (%)	<5
W system	3.3	Voltage (V)	15.5-18.5	Over voltage protection	/
lm source	299/315/331/337	LED Current (mA)	180mA	Ballast losses (W)	/
lm system	233/245/258/262	MacAdam Step	3	Control	Triac
Lm/W	71/74/78/79	LED numbers	1	UGR	-0.5
Lm in emergency mode	/	Tc (Ta25°C)	70	GWT (°C)	650 C
CCT	2700/3000/4000	Life span LED	50000H L70B50	Rotation angle (°)	355
CRI	90/95	Power factor	PF>0.9	Tilting angle (°)	90
Lamp code	CXM-3-30-90-36-TC40	Minimum dimming (%)	1	Cutout (mm)	19
Looping	/	/	/	/	/

Specification – 2700K

Art number	EAN number	Text	CCT	Lm/W	Lm system	Colour	RAL
16030021800001	5715174000248	Nano NA-S2 3w CRI90 20°	2700K	71	233	Sandy Black	RAL9004
16030021800002	5715174000255	Nano NA-S2 3w CRI95 20°	2700K	66	218	Sandy Black	RAL9004
16030020900001	5715174000262	Nano NA-S2 3w CRI90 20°	2700K	71	233	Sandy White	RAL9016
16030020900002	5715174000279	Nano NA-S2 3w CRI95 20°	2700K	66	218	Sandy White	RAL9016
16030021800003	5715174000286	Nano NA-S2 3w CRI90 30°	2700K	71	233	Sandy Black	RAL9004
16030021800004	5715174000293	Nano NA-S2 3w CRI95 30°	2700K	66	218	Sandy Black	RAL9004
16030020900003	5715174000309	Nano NA-S2 3w CRI90 30°	2700K	71	233	Sandy White	RAL9016
16030020900004	5715174000316	Nano NA-S2 3w CRI95 30°	2700K	66	218	Sandy White	RAL9016
16030021800005	5715174000323	Nano NA-S2 3w CRI90 40°	2700K	71	233	Sandy Black	RAL9004
16030021800006	5715174000330	Nano NA-S2 3w CRI95 40°	2700K	66	218	Sandy Black	RAL9004
16030020900005	5715174000347	Nano NA-S2 3w CRI90 40°	2700K	71	233	Sandy White	RAL9016
16030020900006	5715174000354	Nano NA-S2 3w CRI95 40°	2700K	66	218	Sandy White	RAL9016

Specification – 3000K

Art number	EAN number	Text	CCT	Lm/W	Lm system	Colour	RAL
16030021800007	5715174000361	Nano NA-S2 3w CRI90 20°	3000K	74	245	Sandy Black	RAL9004
16030021800008	5715174000378	Nano NA-S2 3w CRI95 20°	3000K	69	227	Sandy Black	RAL9004
16030020900007	5715174000385	Nano NA-S2 3w CRI90 20°	3000K	74	245	Sandy White	RAL9016
16030020900008	5715174000392	Nano NA-S2 3w CRI95 20°	3000K	69	227	Sandy White	RAL9016
16030021800009	5715174000408	Nano NA-S2 3w CRI90 30°	3000K	74	245	Sandy Black	RAL9004
16030021800010	5715174000415	Nano NA-S2 3w CRI95 30°	3000K	69	227	Sandy Black	RAL9004
16030020900009	5715174000422	Nano NA-S2 3w CRI90 30°	3000K	74	245	Sandy White	RAL9016
16030020900010	5715174000439	Nano NA-S2 3w CRI95 30°	3000K	69	227	Sandy White	RAL9016
16030021800011	5715174000446	Nano NA-S2 3w CRI90 40°	3000K	74	245	Sandy Black	RAL9004
16030021800012	5715174000453	Nano NA-S2 3w CRI95 40°	3000K	69	227	Sandy Black	RAL9004
16030020900011	5715174000460	Nano NA-S2 3w CRI90 40°	3000K	74	245	Sandy White	RAL9016
16030020900012	5715174000477	Nano NA-S2 3w CRI95 40°	3000K	69	227	Sandy White	RAL9016

Specification – 4000K

Art number	EAN number	Text	CCT	Lm/W	Lm system	Colour	RAL
16030021800013	5715174000484	Nano NA-S2 3w CRI90 20°	4000K	78	258	Sandy Black	RAL9004
16030021800014	5715174000491	Nano NA-S2 3w CRI95 20°	4000K	73	240	Sandy Black	RAL9004
16030020900013	5715174000507	Nano NA-S2 3w CRI90 20°	4000K	78	258	Sandy White	RAL9016
16030020900014	5715174000514	Nano NA-S2 3w CRI95 20°	4000K	73	240	Sandy White	RAL9016
16030021800015	5715174000521	Nano NA-S2 3w CRI90 30°	4000K	78	258	Sandy Black	RAL9004
16030021800016	5715174000538	Nano NA-S2 3w CRI95 30°	4000K	73	240	Sandy Black	RAL9004
16030020900015	5715174000545	Nano NA-S2 3w CRI90 30°	4000K	78	258	Sandy White	RAL9016
16030020900016	5715174000552	Nano NA-S2 3w CRI95 30°	4000K	73	240	Sandy White	RAL9016
16030021800017	5715174000569	Nano NA-S2 3w CRI90 40°	4000K	78	258	Sandy Black	RAL9004
16030021800018	5715174000576	Nano NA-S2 3w CRI95 40°	4000K	73	240	Sandy Black	RAL9004
16030020900017	5715174000583	Nano NA-S2 3w CRI90 40°	4000K	78	258	Sandy White	RAL9016
16030020900018	5715174000590	Nano NA-S2 3w CRI95 40°	4000K	73	240	Sandy White	RAL9016

Accessories

Art number	EAN number	Text	Colour	RAL
16040061800001	5715174150608	Nano NA-TRC300 0.3M Semi Round Track only	Sandy Black	RAL9004
16040060900001	5715174150615	Nano NA-TRC300 0.3M Semi Round Track only	Sandy White	RAL9016
16040011800001	5715174150622	Nano NA-TRC1000 1M Semi Round Track only	Sandy Black	RAL9004
16040010900001	5715174150639	Nano NA-TRC1000 1M Semi Round Track only	Sandy White	RAL9016
16040021800001	5715174150646	Nano NA-TRC2000 2M Semi Round Track only	Sandy Black	RAL9004
16040020900001	5715174150653	Nano NA-TRC2000 2M Semi Round Track only	Sandy White	RAL9016
16040041800001	5715174150684	Nano NA-TRC2 End Cap	Sandy Black	RAL9004
16040040900001	5715174150691	Nano NA-TRC2 End Cap	Sandy White	RAL9016
16040051800001	5715174150707	Nano NA-TRC3 Furniture Holder with Feeder	Sandy Black	RAL9004
16040050900001	5715174150714	Nano NA-TRC3 Furniture Holder with Feeder	Sandy White	RAL9016
16040192100001	5715174150721	Nano NA-TRC5 End Connector	Sandy Black	RAL9004
16040191600001	5715174150738	Nano NA-TRC5 End Connector	Sandy White	RAL9016
16040202100001	5715174150745	Nano NA-TRC6 Middle Connector	Sandy Black	RAL9004
16040201600001	5715174150752	Nano NA-TRC6 Middle Connector	Sandy White	RAL9016
16040212100001	5715174150769	Nano NA-TRC7 L Connector	Sandy Black	RAL9004
16040211600001	5715174150776	Nano NA-TRC7 L Connector	Sandy White	RAL9016
16040222100001	5715174150783	Nano NA-TRC8 T Connector	Sandy Black	RAL9004
16040221600001	5715174150790	Nano NA-TRC8 T Connector	Matte White	RAL9016
16040231800001	5715174150806	Nano NA-TRC12 Recessed Outlet	Sandy Black	RAL9004
16040230900001	5715174150813	Nano NA-TRC12 Recessed Outlet	Sandy White	RAL9016
16040241800001	5715174150820	Nano NA-TRC13 Trimless Outlet	Sandy Black	RAL9004
16040240900001	5715174150837	Nano NA-TRC13 Trimless Outlet	Sandy White	RAL9016
16040251800001	5715174150844	Nano NA-TRC14 Surface mounted Outlet	Sandy Black	RAL9004
16040250900001	5715174150851	Nano NA-TRC14 Surface mounted Outlet	Sandy White	RAL9016

Driver

Art number	EAN number	Text
190400600000077	5715174150004	24w Constant voltage 24V driver Triac
190400600000125	5715174150011	40w Constant voltage 24V driver Triac
190400600000126	5715174150028	75w Constant voltage 24V driver Triac
190400600000127	5715174150035	150w Constant voltage 24V driver Triac
190400600000128	5715174150042	200w Constant voltage 24V driver Triac