

SIGNIFICANT LIGHTING | ICONIC PROJECTS | BETTER BUSINESS

When your projects get ambitious don't think ordinary

The lighting we provide means you can present installations that deliver experiences your customers – and their users – haven't seen before. Whether subtle or in your face, this enables you to set new standards for visual impact, end-user satisfaction and low cost of ownership throughout high-profile spaces.

HERE&AFTER

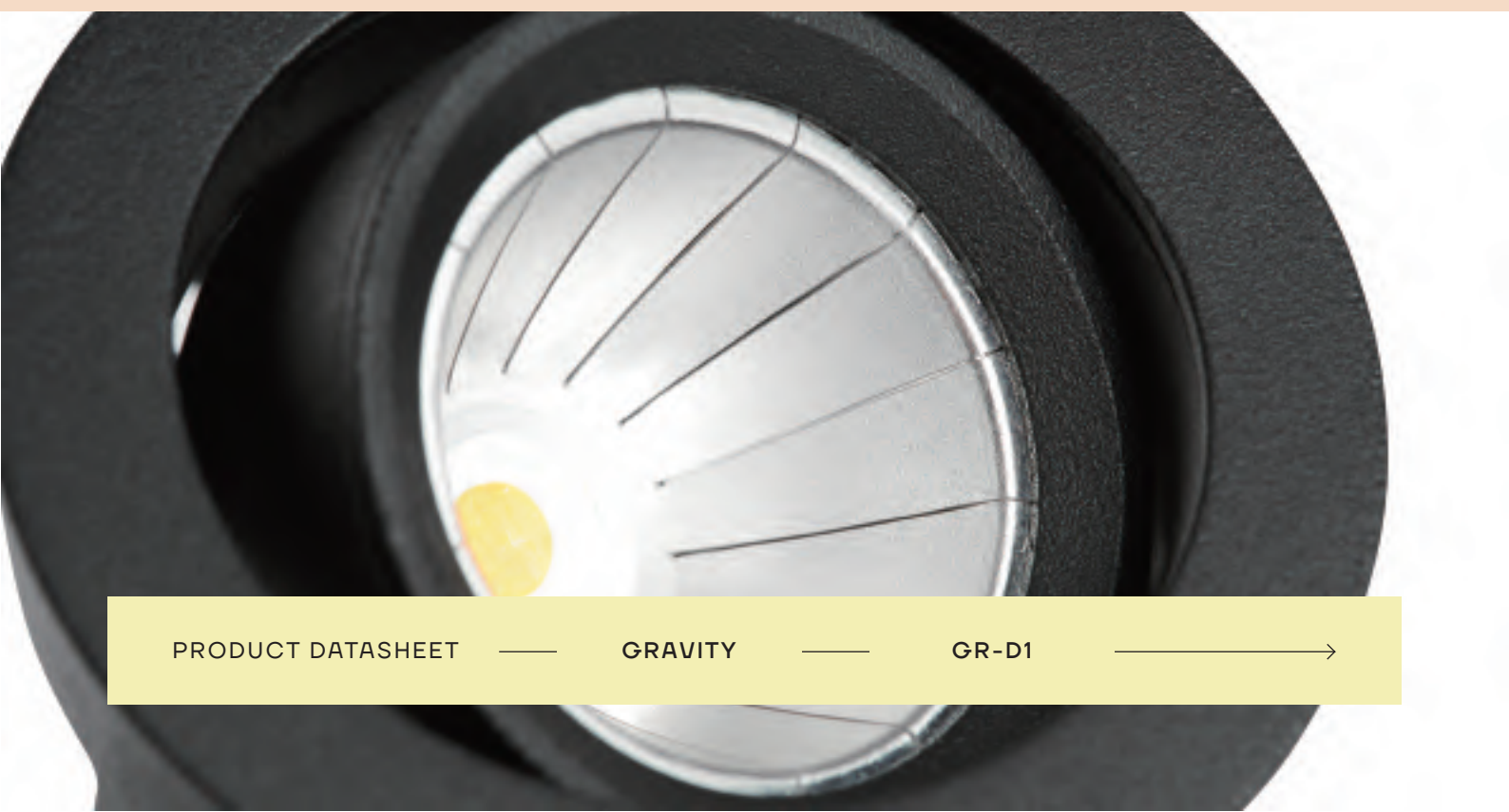
info@hereandafter.com

hereandafter.com

PRODUCT DATASHEET

GRAVITY

GR-D1



Invisible sources, visible impacts

The latest-generation LEDs and deeply recessed reflectors in Gravity downlights and wallwashers provide exceptional lighting effects that you can rotate through 355 degrees and tilt at virtually any angle. There are also fixed units, if you prefer.

You can mount and integrate them virtually anywhere, including surfaces, panels, ceilings and fixtures. Installers can easily mount Gravity lighting fixtures inside the insulation and within the vapour barrier of any structure – with no extra manpower-intensive alterations or practical bother.

As with most other here&after design concepts, the Gravity range is under continual development and extension. This is made easy because we can combine the same components and fixtures in countless different ways, with a frame, Trimless or as a surface, and all in different sizes, to give you a remarkable wide range of choice for high-quality downlights and wallwashers.

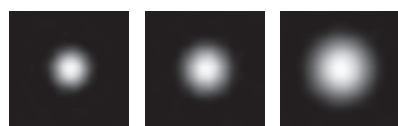


DESIGNED BY ERIK PADKJÆR LARSEN

LED
IP20
Dimmable
IN DOOR
III
650
A+



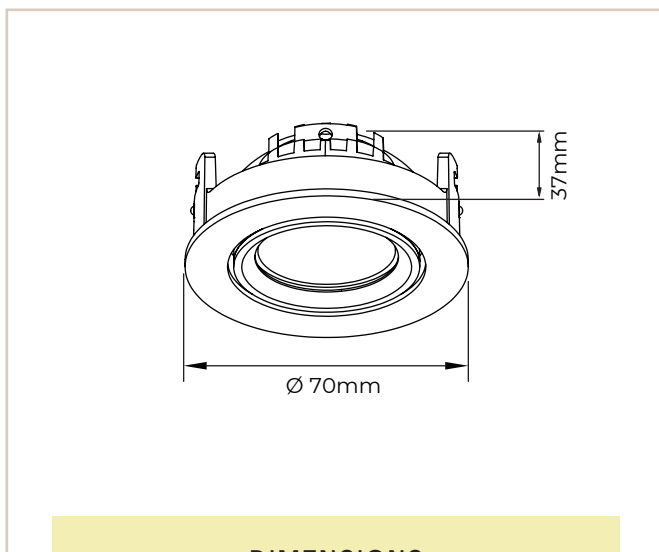
Other colours on request



Narrow
17

Medium
24

Wide
36



DIMENSIONS

Light Technical Information

W source	7	Lamp Type	COB	Ripple (%)	<5
W system	9	Voltage (V)	31-37	Ballast losses (W)	/
Im source	808/853/905/911	LED Current (mA)	200	Control	Triac/DALI/0-10V
Im system	785/829/880/885	MacAdam Step	3	UGR	20
Lm/W	89/94/100/101	LED numbers	1	GWT (°C)	650
Lm in emergency mode	/	Tc (Ta25 °C)	81	Rotation angle (°)	355
CCT	2700/ 3000/ 4000/5000	Life span LED	50000H L70B50	Tilting angle (°)	30
CRI	90/95	Power factor	PF>0.9	Cutout (mm)	/
Lamp code	CXM-6-30-90-36-TC40	Minimum dimming (%)	1	Looping	/

Specification – 2700K

Art number	EAN number	Text	CCT	Lm/W	Lm system	Colour	RAL
16010171800001	5715174132895	Gravity GR-D1 7w CRI90 17°	2700K	89	785	Sandy Black	RAL9004
16010170900001	5715174132901	Gravity GR-D1 7w CRI90 17°	2700K	89	785	Sandy white	RAL9016
16010171800002	5715174132918	Gravity GR-D1 7w CRI95 17°	2700K	78	686	Sandy Black	RAL9004
16010170900002	5715174132925	Gravity GR-D1 7w CRI95 17°	2700K	78	686	Sandy white	RAL9016
16010171800003	5715174132932	Gravity GR-D1 7w CRI90 24°	2700K	89	785	Sandy Black	RAL9004
16010170900003	5715174132949	Gravity GR-D1 7w CRI90 24°	2700K	89	785	Sandy white	RAL9016
16010171800004	5715174132956	Gravity GR-D1 7w CRI95 24°	2700K	78	686	Sandy Black	RAL9004
16010170900004	5715174132963	Gravity GR-D1 7w CRI95 24°	2700K	78	686	Sandy white	RAL9016
16010171800005	5715174132970	Gravity GR-D1 7w CRI90 36°	2700K	89	785	Sandy Black	RAL9004
16010170900005	5715174132987	Gravity GR-D1 7w CRI90 36°	2700K	89	785	Sandy white	RAL9016
16010171800006	5715174132994	Gravity GR-D1 7w CRI95 36°	2700K	78	686	Sandy Black	RAL9004
16010170900006	5715174133007	Gravity GR-D1 7w CRI95 36°	2700K	78	686	Sandy white	RAL9016

Specification – 3000K

Art number	EAN number	Text	CCT	Lm/W	Lm system	Colour	RAL
16010171800007	5715174133014	Gravity GR-D1 7w CRI90 17°	3000K	94	829	Sandy Black	RAL9004
16010170900007	5715174133021	Gravity GR-D1 7w CRI90 17°	3000K	94	829	Sandy white	RAL9016
16010171800008	5715174133038	Gravity GR-D1 7w CRI95 17°	3000K	84	736	Sandy Black	RAL9004
16010170900008	5715174133045	Gravity GR-D1 7w CRI95 17°	3000K	84	736	Sandy white	RAL9016
16010171800009	5715174133052	Gravity GR-D1 7w CRI90 24°	3000K	94	829	Sandy Black	RAL9004
16010170900009	5715174133069	Gravity GR-D1 7w CRI90 24°	3000K	94	829	Sandy white	RAL9016
16010171800010	5715174133076	Gravity GR-D1 7w CRI95 24°	3000K	84	736	Sandy Black	RAL9004
16010170900010	5715174133083	Gravity GR-D1 7w CRI95 24°	3000K	84	736	Sandy white	RAL9016
16010171800011	5715174133090	Gravity GR-D1 7w CRI90 36°	3000K	94	829	Sandy Black	RAL9004
16010170900011	5715174133106	Gravity GR-D1 7w CRI90 36°	3000K	94	829	Sandy white	RAL9016
16010171800012	5715174133113	Gravity GR-D1 7w CRI95 36°	3000K	84	736	Sandy Black	RAL9004
16010170900012	5715174133120	Gravity GR-D1 7w CRI95 36°	3000K	84	736	Sandy white	RAL9016

Specification – 4000K

Art number	EAN number	Text	CCT	Lm/W	Lm system	Colour	RAL
16010171800013	5715174133137	Gravity GR-D1 7w CRI90 17°	4000K	100	880	Sandy Black	RAL9004
16010170900013	5715174133144	Gravity GR-D1 7w CRI90 17°	4000K	100	880	Sandy white	RAL9016
16010171800014	5715174133151	Gravity GR-D1 7w CRI95 17°	4000K	91	798	Sandy Black	RAL9004
16010170900014	5715174133168	Gravity GR-D1 7w CRI95 17°	4000K	91	798	Sandy white	RAL9016
16010171800015	5715174133175	Gravity GR-D1 7w CRI90 24°	4000K	100	880	Sandy Black	RAL9004
16010170900015	5715174133182	Gravity GR-D1 7w CRI90 24°	4000K	100	880	Sandy white	RAL9016
16010171800016	5715174133199	Gravity GR-D1 7w CRI95 24°	4000K	91	798	Sandy Black	RAL9004
16010170900016	5715174133205	Gravity GR-D1 7w CRI95 24°	4000K	91	798	Sandy white	RAL9016
16010171800017	5715174133212	Gravity GR-D1 7w CRI90 36°	4000K	100	880	Sandy Black	RAL9004
16010170900017	5715174133229	Gravity GR-D1 7w CRI90 36°	4000K	100	880	Sandy white	RAL9016
16010171800018	5715174133236	Gravity GR-D1 7w CRI95 36°	4000K	91	798	Sandy Black	RAL9004
16010170900018	5715174133243	Gravity GR-D1 7w CRI95 36°	4000K	91	798	Sandy white	RAL9016

Specification – 5000K

Art number	EAN number	Text	CCT	Lm/W	Lm system	Colour	RAL
16010171800019	5715174133250	Gravity GR-D1 7w CRI90 17°	5000K	101	885	Sandy Black	RAL9004
16010170900019	5715174133267	Gravity GR-D1 7w CRI90 17°	5000K	101	885	Sandy white	RAL9016
16010171800020	5715174133274	Gravity GR-D1 7w CRI95 17°	5000K	88	773	Sandy Black	RAL9004
16010170900020	5715174133281	Gravity GR-D1 7w CRI95 17°	5000K	88	773	Sandy white	RAL9016
16010171800021	5715174133298	Gravity GR-D1 7w CRI90 24°	5000K	101	885	Sandy Black	RAL9004
16010170900021	5715174133304	Gravity GR-D1 7w CRI90 24°	5000K	101	885	Sandy white	RAL9016
16010171800022	5715174133311	Gravity GR-D1 7w CRI95 24°	5000K	88	773	Sandy Black	RAL9004
16010170900022	5715174133328	Gravity GR-D1 7w CRI95 24°	5000K	88	773	Sandy white	RAL9016
16010171800023	5715174133335	Gravity GR-D1 7w CRI90 36°	5000K	101	885	Sandy Black	RAL9004
16010170900023	5715174133342	Gravity GR-D1 7w CRI90 36°	5000K	101	885	Sandy white	RAL9016
16010171800024	5715174133359	Gravity GR-D1 7w CRI95 36°	5000K	88	773	Sandy Black	RAL9004
16010170900024	5715174133366	Gravity GR-D1 7w CRI95 36°	5000K	88	773	Sandy white	RAL9016