

SIGNIFICANT LIGHTING | ICONIC PROJECTS | BETTER BUSINESS

When your projects get ambitious don't think ordinary

The lighting we provide means you can present installations that deliver experiences your customers – and their users – haven't seen before. Whether subtle or in your face, this enables you to set new standards for visual impact, end-user satisfaction and low cost of ownership throughout high-profile spaces.

HERE&AFTER

info@hereandafter.com

hereandafter.com



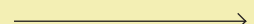
PRODUCT DATASHEET



GRAVITY



GR-D2

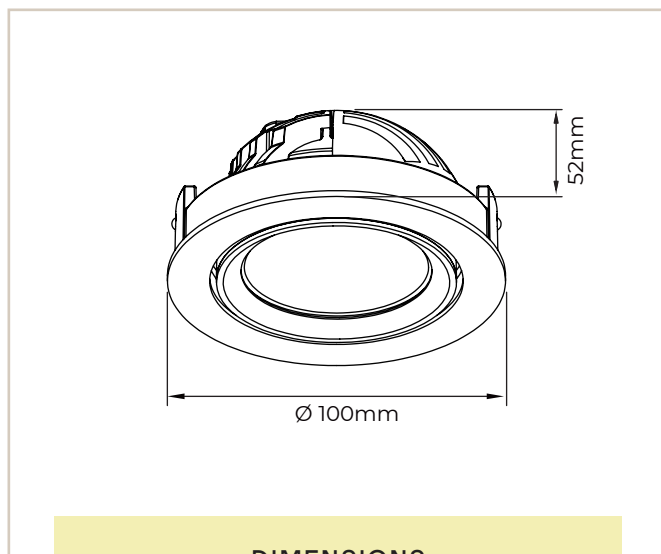


Invisible sources, visible impacts

The latest-generation LEDs and deeply recessed reflectors in Gravity downlights and wallwashers provide exceptional lighting effects that you can rotate through 355 degrees and tilt at virtually any angle. There are also fixed units, if you prefer.

You can mount and integrate them virtually anywhere, including surfaces, panels, ceilings and fixtures. Installers can easily mount Gravity lighting fixtures inside the insulation and within the vapour barrier of any structure – with no extra manpower-intensive alterations or practical bother.

As with most other here&after design concepts, the Gravity range is under continual development and extension. This is made easy because we can combine the same components and fixtures in countless different ways, with a frame, Trimless or as a surface, and all in different sizes, to give you a remarkable wide range of choice for high-quality downlights and wallwashers.

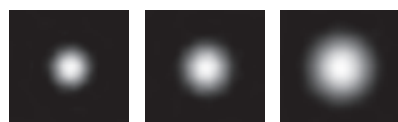


DESIGNED BY ERIK PADKJÆR LARSEN

LED
IP20
Dimmable
IN DOOR
III
650
A+



Other colours on request



Narrow
17

Medium
24

Wide
36

Light Technical Information

| | | | | | |
|----------------------|---------------------|---------------------|---------------|--------------------|------------------|
| W source | 12 | Lamp Type | COB | Ripple (%) | <5 |
| W system | 14 | Voltage (V) | 31-37 | Ballast losses (W) | / |
| lm source | 1748/1542/1621/1695 | LED Current (mA) | 350 | Control | Triac/DALI/0-10V |
| lm system | 1235/1288/1354/1416 | MacAdam Step | 3 | UGR | 20 |
| Lm/W | 87/91/95/100 | LED numbers | 1 | GWT (°C) | 650 |
| Lm in emergency mode | / | Tc (Ta25°C) | 73 | Rotation angle (°) | 355 |
| CCT | 2700/3000/4000/5000 | Life span LED | 50000H L70B50 | Tilting angle (°) | 30 |
| CRI | 90/95 | Power factor | PF>0.9 | Cutout (mm) | / |
| Lamp code | CXM-9-30-90-36-TC40 | Minimum dimming (%) | 1 | Looping | / |

Specification – 2700K

| Art number | EAN number | Text | CCT | Lm/W | Lm system | Colour | RAL |
|----------------|---------------|-----------------------------|-------|------|-----------|------------|---------|
| 16010181800001 | 5715174133373 | Gravity GR-D2 12w CRI90 17° | 2700K | 87 | 1235 | Matt Black | RAL9004 |
| 16010180900001 | 5715174133380 | Gravity GR-D2 12w CRI90 17° | 2700K | 87 | 1235 | Matt white | RAL9003 |
| 16010181800002 | 5715174133397 | Gravity GR-D2 12w CRI95 17° | 2700K | 75 | 1067 | Matt Black | RAL9004 |
| 16010180900002 | 5715174133403 | Gravity GR-D2 12w CRI95 17° | 2700K | 75 | 1067 | Matt white | RAL9003 |
| 16010181800003 | 5715174133410 | Gravity GR-D2 12w CRI90 24° | 2700K | 87 | 1235 | Matt Black | RAL9004 |
| 16010180900003 | 5715174133427 | Gravity GR-D2 12w CRI90 24° | 2700K | 87 | 1235 | Matt white | RAL9003 |
| 16010181800004 | 5715174133434 | Gravity GR-D2 12w CRI95 24° | 2700K | 75 | 1067 | Matt Black | RAL9004 |
| 16010180900004 | 5715174133441 | Gravity GR-D2 12w CRI95 24° | 2700K | 75 | 1067 | Matt white | RAL9003 |
| 16010181800005 | 5715174133458 | Gravity GR-D2 12w CRI90 36° | 2700K | 87 | 1235 | Matt Black | RAL9004 |
| 16010180900005 | 5715174133465 | Gravity GR-D2 12w CRI90 36° | 2700K | 87 | 1235 | Matt white | RAL9003 |
| 16010181800006 | 5715174133472 | Gravity GR-D2 12w CRI95 36° | 2700K | 75 | 1067 | Matt Black | RAL9004 |
| 16010180900006 | 5715174133489 | Gravity GR-D2 12w CRI95 36° | 2700K | 75 | 1067 | Matt white | RAL9003 |

Specification – 3000K

| Art number | EAN number | Text | CCT | Lm/W | Lm system | Colour | RAL |
|----------------|---------------|-----------------------------|-------|------|-----------|------------|---------|
| 16010181800007 | 5715174133496 | Gravity GR-D2 12w CRI90 17° | 3000K | 91 | 1288 | Matt Black | RAL9004 |
| 16010180900007 | 5715174133502 | Gravity GR-D2 12w CRI90 17° | 3000K | 91 | 1288 | Matt white | RAL9003 |
| 16010181800008 | 5715174133519 | Gravity GR-D2 12w CRI95 17° | 3000K | 78 | 1122 | Matt Black | RAL9004 |
| 16010180900008 | 5715174133526 | Gravity GR-D2 12w CRI95 17° | 3000K | 78 | 1122 | Matt white | RAL9003 |
| 16010181800009 | 5715174133533 | Gravity GR-D2 12w CRI90 24° | 3000K | 91 | 1288 | Matt Black | RAL9004 |
| 16010180900009 | 5715174133540 | Gravity GR-D2 12w CRI90 24° | 3000K | 91 | 1288 | Matt white | RAL9003 |
| 16010181800010 | 5715174133557 | Gravity GR-D2 12w CRI95 24° | 3000K | 78 | 1122 | Matt Black | RAL9004 |
| 16010180900010 | 5715174133564 | Gravity GR-D2 12w CRI95 24° | 3000K | 78 | 1122 | Matt white | RAL9003 |
| 16010181800011 | 5715174133571 | Gravity GR-D2 12w CRI90 36° | 3000K | 91 | 1288 | Matt Black | RAL9004 |
| 16010180900011 | 5715174133588 | Gravity GR-D2 12w CRI90 36° | 3000K | 91 | 1288 | Matt white | RAL9003 |
| 16010181800012 | 5715174133595 | Gravity GR-D2 12w CRI95 36° | 3000K | 78 | 1122 | Matt Black | RAL9004 |
| 16010180900012 | 5715174133601 | Gravity GR-D2 12w CRI95 36° | 3000K | 78 | 1122 | Matt white | RAL9003 |

Specification – 4000K

| Art number | EAN number | Text | CCT | Lm/W | Lm system | Colour | RAL |
|----------------|---------------|-----------------------------|-------|------|-----------|------------|---------|
| 16010181800013 | 5715174133618 | Gravity GR-D2 12w CRI90 17° | 4000K | 95 | 1354 | Matt Black | RAL9004 |
| 16010180900013 | 5715174133625 | Gravity GR-D2 12w CRI90 17° | 4000K | 95 | 1354 | Matt white | RAL9003 |
| 16010181800014 | 5715174133632 | Gravity GR-D2 12w CRI95 17° | 4000K | 86 | 1227 | Matt Black | RAL9004 |
| 16010180900014 | 5715174133649 | Gravity GR-D2 12w CRI95 17° | 4000K | 86 | 1227 | Matt white | RAL9003 |
| 16010181800015 | 5715174133656 | Gravity GR-D2 12w CRI90 24° | 4000K | 95 | 1354 | Matt Black | RAL9004 |
| 16010180900015 | 5715174133663 | Gravity GR-D2 12w CRI90 24° | 4000K | 95 | 1354 | Matt white | RAL9003 |
| 16010181800016 | 5715174133670 | Gravity GR-D2 12w CRI95 24° | 4000K | 86 | 1227 | Matt Black | RAL9004 |
| 16010180900016 | 5715174133687 | Gravity GR-D2 12w CRI95 24° | 4000K | 86 | 1227 | Matt white | RAL9003 |
| 16010181800017 | 5715174133694 | Gravity GR-D2 12w CRI90 36° | 4000K | 95 | 1354 | Matt Black | RAL9004 |
| 16010180900017 | 5715174133700 | Gravity GR-D2 12w CRI90 36° | 4000K | 95 | 1354 | Matt white | RAL9003 |
| 16010181800018 | 5715174133717 | Gravity GR-D2 12w CRI95 36° | 4000K | 86 | 1227 | Matt Black | RAL9004 |
| 16010180900018 | 5715174133724 | Gravity GR-D2 12w CRI95 36° | 4000K | 86 | 1227 | Matt white | RAL9003 |

Specification – 5000K

| Art number | EAN number | Text | CCT | Lm/W | Lm system | Colour | RAL |
|----------------|---------------|-----------------------------|-------|------|-----------|------------|---------|
| 16010181800019 | 5715174133731 | Gravity GR-D2 12w CRI90 17° | 5000K | 100 | 1416 | Matt Black | RAL9004 |
| 16010180900019 | 5715174133748 | Gravity GR-D2 12w CRI90 17° | 5000K | 100 | 1416 | Matt white | RAL9003 |
| 16010181800020 | 5715174133755 | Gravity GR-D2 12w CRI95 17° | 5000K | 86 | 1223 | Matt Black | RAL9004 |
| 16010180900020 | 5715174133762 | Gravity GR-D2 12w CRI95 17° | 5000K | 86 | 1223 | Matt white | RAL9003 |
| 16010181800021 | 5715174133779 | Gravity GR-D2 12w CRI90 24° | 5000K | 100 | 1416 | Matt Black | RAL9004 |
| 16010180900021 | 5715174133786 | Gravity GR-D2 12w CRI90 24° | 5000K | 100 | 1416 | Matt white | RAL9003 |
| 16010181800022 | 5715174133793 | Gravity GR-D2 12w CRI95 24° | 5000K | 86 | 1223 | Matt Black | RAL9004 |
| 16010180900022 | 5715174133809 | Gravity GR-D2 12w CRI95 24° | 5000K | 86 | 1223 | Matt white | RAL9003 |
| 16010181800023 | 5715174133816 | Gravity GR-D2 12w CRI90 36° | 5000K | 100 | 1416 | Matt Black | RAL9004 |
| 16010180900023 | 5715174133823 | Gravity GR-D2 12w CRI90 36° | 5000K | 100 | 1416 | Matt white | RAL9003 |
| 16010181800024 | 5715174133830 | Gravity GR-D2 12w CRI95 36° | 5000K | 86 | 1223 | Matt Black | RAL9004 |
| 16010180900024 | 5715174133847 | Gravity GR-D2 12w CRI95 36° | 5000K | 86 | 1223 | Matt white | RAL9003 |