

SIGNIFICANT LIGHTING | ICONIC PROJECTS | BETTER BUSINESS

When your projects get ambitious don't think ordinary

The lighting we provide means you can present installations that deliver experiences your customers – and their users – haven't seen before. Whether subtle or in your face, this enables you to set new standards for visual impact, end-user satisfaction and low cost of ownership throughout high-profile spaces.

HERE&AFTER

info@hereandafter.com

hereandafter.com

PRODUCT DATASHEET

GRAVITY

GR-D3

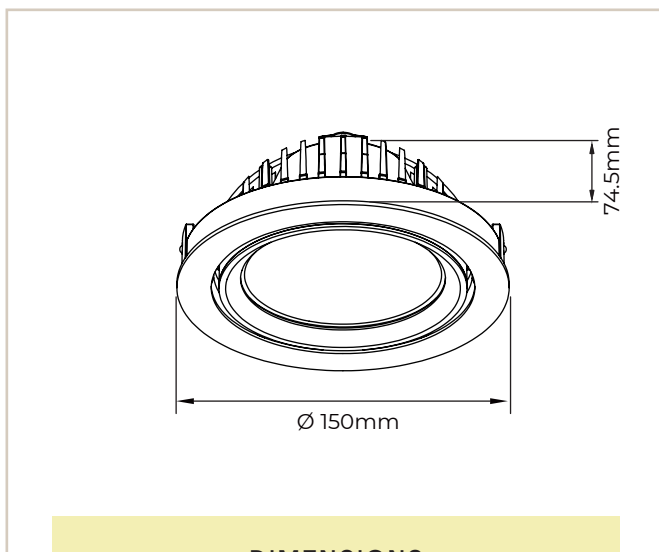


Invisible sources, visible impacts

The latest-generation LEDs and deeply recessed reflectors in Gravity downlights and wallwashers provide exceptional lighting effects that you can rotate through 355 degrees and tilt at virtually any angle. There are also fixed units, if you prefer.

You can mount and integrate them virtually anywhere, including surfaces, panels, ceilings and fixtures. Installers can easily mount Gravity lighting fixtures inside the insulation and within the vapour barrier of any structure – with no extra manpower-intensive alterations or practical bother.

As with most other here&after design concepts, the Gravity range is under continual development and extension. This is made easy because we can combine the same components and fixtures in countless different ways, with a frame, Trimless or as a surface, and all in different sizes, to give you a remarkable wide range of choice for high-quality downlights and wallwashers.

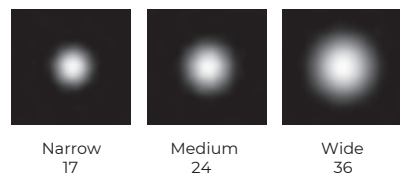


DESIGNED BY ERIK PADKJÆR LARSEN

LED
IP20
Dimmable
IN DOOR
III
650
A+



Other colours on request



Light Technical Information

W source	24	Lamp Type	COB	Ripple (%)	<5
W system	25	Voltage (V)	31-37	Ballast losses (W)	/
Im source	2963/3093/3248/3398	LED Current (mA)	700	Control	Triac/DALI/0-10V
Im system	2719/2838/2980/3118	MacAdam Step	3	UGR	20
Lm/W	103/112/113/119	LED numbers	1	GWT (C)	650
Lm in emergency mode	/	Tc (Ta25 C)	67	Rotation angle (°)	355
CCT	2700/ 3000/4000/5000	Life span LED	50000H L70B50	Tilting angle (°)	30
CRI	90/95	Power factor	PF>0.9	Cutout (mm)	/
Lamp code	CXM-14-30-90-36-TC40	Minimum dimming (%)	1	Looping	/

Specification – 2700K

Art number	EAN number	Text	CCT	Lm/W	Lm system	Colour	RAL
16010191800001	5715174133854	Gravity GR-D3 24w CRI90 17°	2700K	103	2719	Sandy Black	RAL9004
16010190900001	5715174133861	Gravity GR-D3 24w CRI90 17°	2700K	103	2719	Sandy white	RAL9016
16010191800002	5715174133878	Gravity GR-D3 24w CRI95 17°	2700K	89	2349	Sandy Black	RAL9004
16010190900002	5715174133885	Gravity GR-D3 24w CRI95 17°	2700K	89	2349	Sandy white	RAL9016
16010191800003	5715174133892	Gravity GR-D3 24w CRI90 24°	2700K	103	2719	Sandy Black	RAL9004
16010190900003	5715174133908	Gravity GR-D3 24w CRI90 24°	2700K	103	2719	Sandy white	RAL9016
16010191800004	5715174133915	Gravity GR-D3 24w CRI95 24°	2700K	89	2349	Sandy Black	RAL9004
16010190900004	5715174133922	Gravity GR-D3 24w CRI95 24°	2700K	89	2349	Sandy white	RAL9016
16010191800005	5715174133939	Gravity GR-D3 24w CRI90 36°	2700K	103	2719	Sandy Black	RAL9004
16010190900005	5715174133946	Gravity GR-D3 24w CRI90 36°	2700K	103	2719	Sandy white	RAL9016
16010191800006	5715174133953	Gravity GR-D3 24w CRI95 36°	2700K	89	2349	Sandy Black	RAL9004
16010190900006	5715174133960	Gravity GR-D3 24w CRI95 36°	2700K	89	2349	Sandy white	RAL9016

Specification – 3000K

Art number	EAN number	Text	CCT	Lm/W	Lm system	Colour	RAL
16010191800007	5715174133977	Gravity GR-D3 24w CRI90 17°	3000K	112	2938	Sandy Black	RAL9004
16010190900007	5715174133984	Gravity GR-D3 24w CRI90 17°	3000K	112	2938	Sandy white	RAL9016
16010191800008	5715174133991	Gravity GR-D3 24w CRI95 17°	3000K	93	2443	Sandy Black	RAL9004
16010190900008	5715174134004	Gravity GR-D3 24w CRI95 17°	3000K	93	2443	Sandy white	RAL9016
16010191800009	5715174134011	Gravity GR-D3 24w CRI90 24°	3000K	112	2938	Sandy Black	RAL9004
16010190900009	5715174134028	Gravity GR-D3 24w CRI90 24°	3000K	112	2938	Sandy white	RAL9016
16010191800010	5715174134035	Gravity GR-D3 24w CRI95 24°	3000K	93	2443	Sandy Black	RAL9004
16010190900010	5715174134042	Gravity GR-D3 24w CRI95 24°	3000K	93	2443	Sandy white	RAL9016
16010191800011	5715174134059	Gravity GR-D3 24w CRI90 36°	3000K	112	2938	Sandy Black	RAL9004
16010190900011	5715174134066	Gravity GR-D3 24w CRI90 36°	3000K	112	2938	Matt white	RAL9016
16010191800012	5715174134073	Gravity GR-D3 24w CRI95 36°	3000K	93	2443	Sandy Black	RAL9004
16010190900012	5715174134080	Gravity GR-D3 24w CRI95 36°	3000K	93	2443	Sandy white	RAL9016

Specification – 4000K

Art number	EAN number	Text	CCT	Lm/W	Lm system	Colour	RAL
16010191800013	5715174134097	Gravity GR-D3 24w CRI90 17°	4000K	113	2980	Sandy Black	RAL9004
16010190900013	5715174134103	Gravity GR-D3 24w CRI90 17°	4000K	113	2980	Sandy white	RAL9016
16010191800014	5715174134110	Gravity GR-D3 24w CRI95 17°	4000K	103	2700	Sandy Black	RAL9004
16010190900014	5715174134127	Gravity GR-D3 24w CRI95 17°	4000K	103	2700	Sandy white	RAL9016
16010191800015	5715174134134	Gravity GR-D3 24w CRI90 24°	4000K	113	2980	Sandy Black	RAL9004
16010190900015	5715174134141	Gravity GR-D3 24w CRI90 24°	4000K	113	2980	Sandy white	RAL9016
16010191800016	5715174134158	Gravity GR-D3 24w CRI95 24°	4000K	103	2700	Sandy Black	RAL9004
16010190900016	5715174134165	Gravity GR-D3 24w CRI95 24°	4000K	103	2700	Sandy white	RAL9016
16010191800017	5715174134172	Gravity GR-D3 24w CRI90 36°	4000K	113	2980	Sandy Black	RAL9004
16010190900017	5715174134189	Gravity GR-D3 24w CRI90 36°	4000K	113	2980	Sandy white	RAL9016
16010191800018	5715174134196	Gravity GR-D3 24w CRI95 36°	4000K	103	2700	Sandy Black	RAL9004
16010190900018	5715174134202	Gravity GR-D3 24w CRI95 36°	4000K	103	2700	Sandy white	RAL9016

Specification – 5000K

Art number	EAN number	Text	CCT	Lm/W	Lm system	Colour	RAL
16010191800019	5715174134219	Gravity GR-D3 24w CRI90 17°	5000K	119	3118	Sandy Black	RAL9004
16010190900019	5715174134226	Gravity GR-D3 24w CRI90 17°	5000K	119	3118	Sandy white	RAL9016
16010191800020	5715174134233	Gravity GR-D3 24w CRI95 17°	5000K	102	2692	Sandy Black	RAL9004
16010190900020	5715174134240	Gravity GR-D3 24w CRI95 17°	5000K	102	2692	Sandy white	RAL9016
16010191800021	5715174134257	Gravity GR-D3 24w CRI90 24°	5000K	119	3118	Sandy Black	RAL9004
16010190900021	5715174134264	Gravity GR-D3 24w CRI90 24°	5000K	119	3118	Sandy white	RAL9016
16010191800022	5715174134271	Gravity GR-D3 24w CRI95 24°	5000K	102	2692	Sandy Black	RAL9004
16010190900022	5715174134288	Gravity GR-D3 24w CRI95 24°	5000K	102	2692	Sandy white	RAL9016
16010191800023	5715174134295	Gravity GR-D3 24w CRI90 36°	5000K	119	3118	Sandy Black	RAL9004
16010190900023	5715174134301	Gravity GR-D3 24w CRI90 36°	5000K	119	3118	Sandy white	RAL9016
16010191800024	5715174134318	Gravity GR-D3 24w CRI95 36°	5000K	102	2692	Sandy Black	RAL9004
16010190900024	5715174134325	Gravity GR-D3 24w CRI95 36°	5000K	102	2692	Sandy white	RAL9016