

SIGNIFICANT LIGHTING | ICONIC PROJECTS | BETTER BUSINESS

## When your projects get ambitious don't think ordinary

The lighting we provide means you can present installations that deliver experiences your customers – and their users – haven't seen before. Whether subtle or in your face, this enables you to set new standards for visual impact, end-user satisfaction and low cost of ownership throughout high-profile spaces.

**HERE&AFTER**

[info@hereandafter.com](mailto:info@hereandafter.com)

[hereandafter.com](http://hereandafter.com)

PRODUCT DATASHEET

GRAVITY

GR-DW2



### Invisible sources, visible impacts

The latest-generation LEDs and deeply recessed reflectors in Gravity downlights and wallwashers provide exceptional lighting effects that you can rotate through 355 degrees and tilt at virtually any angle. There are also fixed units, if you prefer.

You can mount and integrate them virtually anywhere, including surfaces, panels, ceilings and fixtures. Installers can easily mount Gravity lighting fixtures inside the insulation and within the vapour barrier of any structure – with no extra manpower-intensive alterations or practical bother.

As with most other here&after design concepts, the Gravity range is under continual development and extension. This is made easy because we can combine the same components and fixtures in countless different ways, with a frame, Trimless or as a surface, and all in different sizes, to give you a remarkable wide range of choice for high-quality downlights and wallwashers.

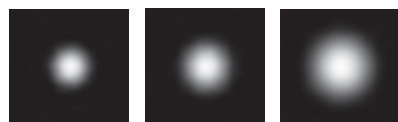


### DESIGNED BY ERIK PADKJÆR LARSEN

LED
IP20
Dimmable
IN DOOR
III
650
A



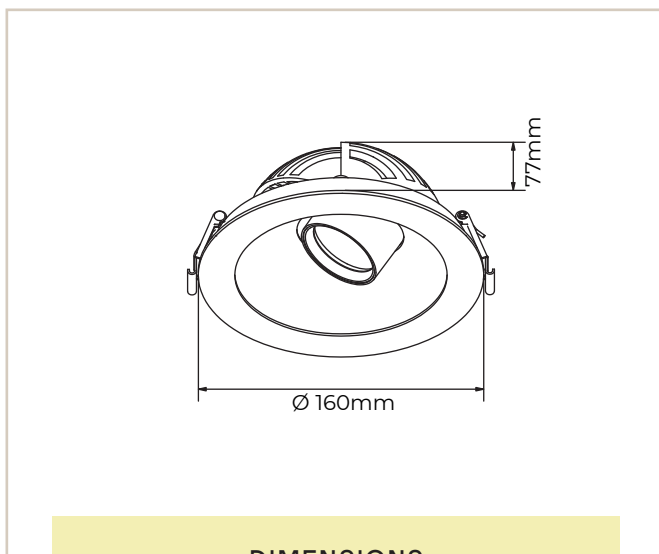
Other colours on request



Narrow  
17

Medium  
24

Wide  
36



### DIMENSIONS

### Light Technical Information

<b>W source</b>	25	<b>Lamp Type</b>	COB	<b>Ripple (%)</b>	<5
<b>W system</b>	28	<b>Voltage (V)</b>	34-38	<b>Ballast losses (W)</b>	/
<b>Im source</b>	2479/2676/2872	<b>LED Current (mA)</b>	700	<b>Control</b>	DALI
<b>Im system</b>	2001/2061/2319	<b>MacAdam Step</b>	3	<b>UGR</b>	7.2
<b>Lm/W</b>	70/75/81	<b>LED numbers</b>	1	<b>GWT (°C)</b>	650
<b>Lm in emergency mode</b>	/	<b>Tc (Ta25°C)</b>	80	<b>Rotation angle (°)</b>	355
<b>CCT</b>	2700/3000/4000	<b>Life span LED</b>	50000H L70B50	<b>Tilting angle (°)</b>	30
<b>CRI</b>	90/95	<b>Power factor</b>	PF>0.9	<b>Cutout (mm)</b>	Φ150
<b>Lamp code</b>	CXM-9-30-90-36-TC40	<b>Minimum dimming (%)</b>	1	<b>Looping</b>	/

## Specification – 2700K

Art number	EAN number	Text	CCT	Lm/W	Lm system	Colour	RAL
1601011800001	5715174131096	Gravity GR-DW2 25w CRI90 17° 2700K		70	2001	Sandy Black	RAL9004
16010110900001	5715174131102	Gravity GR-DW2 25w CRI90 17° 2700K		70	2001	Sandy white	RAL9016
1601011800002	5715174131119	Gravity GR-DW2 25w CRI95 17° 2700K		67	1915	Sandy Black	RAL9004
16010110900002	5715174131126	Gravity GR-DW2 25w CRI95 17° 2700K		67	1915	Sandy white	RAL9016
1601011800003	5715174131133	Gravity GR-DW2 25w CRI90 24° 2700K		70	2001	Sandy Black	RAL9004
16010110900003	5715174131140	Gravity GR-DW2 25w CRI90 24° 2700K		70	2001	Sandy white	RAL9016
1601011800004	5715174131157	Gravity GR-DW2 25w CRI95 24° 2700K		67	1915	Sandy Black	RAL9004
16010110900004	5715174131164	Gravity GR-DW2 25w CRI95 24° 2700K		67	1915	Sandy white	RAL9016
1601011800005	5715174131171	Gravity GR-DW2 25w CRI90 36° 2700K		70	2001	Sandy Black	RAL9004
16010110900005	5715174131188	Gravity GR-DW2 25w CRI90 36° 2700K		70	2001	Sandy white	RAL9016
1601011800006	5715174131195	Gravity GR-DW2 25w CRI95 36° 2700K		67	1915	Sandy Black	RAL9004
16010110900006	5715174131201	Gravity GR-DW2 25w CRI95 36° 2700K		67	1915	Sandy white	RAL9016

## Specification – 3000K

Art number	EAN number	Text	CCT	Lm/W	Lm system	Colour	RAL
1601011800007	5715174131218	Gravity GR-DW2 25w CRI90 17° 3000K		75	2061	Sandy Black	RAL9004
16010110900007	5715174131225	Gravity GR-DW2 25w CRI90 17° 3000K		75	2061	Sandy white	RAL9016
1601011800008	5715174131232	Gravity GR-DW2 25w CRI95 17° 3000K		70	2016	Sandy Black	RAL9004
16010110900008	5715174131249	Gravity GR-DW2 25w CRI95 17° 3000K		70	2016	Sandy white	RAL9016
1601011800009	5715174131256	Gravity GR-DW2 25w CRI90 24° 3000K		75	2061	Sandy Black	RAL9004
16010110900009	5715174131263	Gravity GR-DW2 25w CRI90 24° 3000K		75	2061	Sandy white	RAL9016
1601011800010	5715174131270	Gravity GR-DW2 25w CRI95 24° 3000K		70	2016	Sandy Black	RAL9004
16010110900010	5715174131287	Gravity GR-DW2 25w CRI95 24° 3000K		70	2016	Sandy white	RAL9016
1601011800011	5715174131294	Gravity GR-DW2 25w CRI90 36° 3000K		75	2061	Sandy Black	RAL9004
16010110900011	5715174131300	Gravity GR-DW2 25w CRI90 36° 3000K		75	2061	Sandy white	RAL9016
1601011800012	5715174131317	Gravity GR-DW2 25w CRI95 36° 3000K		70	2016	Sandy Black	RAL9004
16010110900012	5715174131324	Gravity GR-DW2 25w CRI95 36° 3000K		70	2016	Sandy white	RAL9016

## Specification – 4000K

Art number	EAN number	Text	CCT	Lm/W	Lm system	Colour	RAL
1601011800013	5715174131331	Gravity GR-DW2 25w CRI90 17° 4000K		81	2319	Sandy Black	RAL9004
16010110900013	5715174131348	Gravity GR-DW2 25w CRI90 17° 4000K		81	2319	Sandy white	RAL9016
1601011800014	5715174131355	Gravity GR-DW2 25w CRI95 17° 4000K		75	2146	Sandy Black	RAL9004
16010110900014	5715174131362	Gravity GR-DW2 25w CRI95 17° 4000K		75	2146	Sandy white	RAL9016
1601011800015	5715174131379	Gravity GR-DW2 25w CRI90 24° 4000K		81	2319	Sandy Black	RAL9004
16010110900015	5715174131386	Gravity GR-DW2 25w CRI90 24° 4000K		81	2319	Sandy white	RAL9016
1601011800016	5715174131393	Gravity GR-DW2 25w CRI95 24° 4000K		75	2146	Sandy Black	RAL9004
16010110900016	5715174131409	Gravity GR-DW2 25w CRI95 24° 4000K		75	2146	Sandy white	RAL9016
1601011800017	5715174131416	Gravity GR-DW2 25w CRI90 36° 4000K		81	2319	Sandy Black	RAL9004
16010110900017	5715174131423	Gravity GR-DW2 25w CRI90 36° 4000K		81	2319	Sandy white	RAL9016
1601011800018	5715174131430	Gravity GR-DW2 25w CRI95 36° 4000K		75	2146	Sandy Black	RAL9004
16010110900018	5715174131447	Gravity GR-DW2 25w CRI95 36° 4000K		75	2146	Sandy white	RAL9016