

SIGNIFICANT LIGHTING | ICONIC PROJECTS | BETTER BUSINESS

## When your projects get ambitious don't think ordinary

The lighting we provide means you can present installations that deliver experiences your customers – and their users – haven't seen before. Whether subtle or in your face, this enables you to set new standards for visual impact, end-user satisfaction and low cost of ownership throughout high-profile spaces.

**HERE&AFTER**

[info@hereandafter.com](mailto:info@hereandafter.com)

[hereandafter.com](http://hereandafter.com)



[PRODUCT DATASHEET](#)

[GRAVITY](#)

[GR-DWT2](#)



### Invisible sources, visible impacts

The latest-generation LEDs and deeply recessed reflectors in Gravity downlights and wallwashers provide exceptional lighting effects that you can rotate through 355 degrees and tilt at virtually any angle. There are also fixed units, if you prefer.

You can mount and integrate them virtually anywhere, including surfaces, panels, ceilings and fixtures. Installers can easily mount Gravity lighting fixtures inside the insulation and within the vapour barrier of any structure – with no extra manpower-intensive alterations or practical bother.

As with most other here&after design concepts, the Gravity range is under continual development and extension. This is made easy because we can combine the same components and fixtures in countless different ways, with a frame, Trimless or as a surface, and all in different sizes, to give you a remarkable wide range of choice for high-quality downlights and wallwashers.

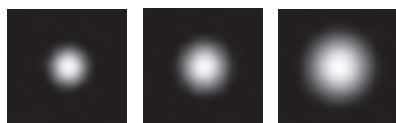


### DESIGNED BY ERIK PADKJÆR LARSEN

LED
IP20
Dimmable
IN DOOR
III
650
A



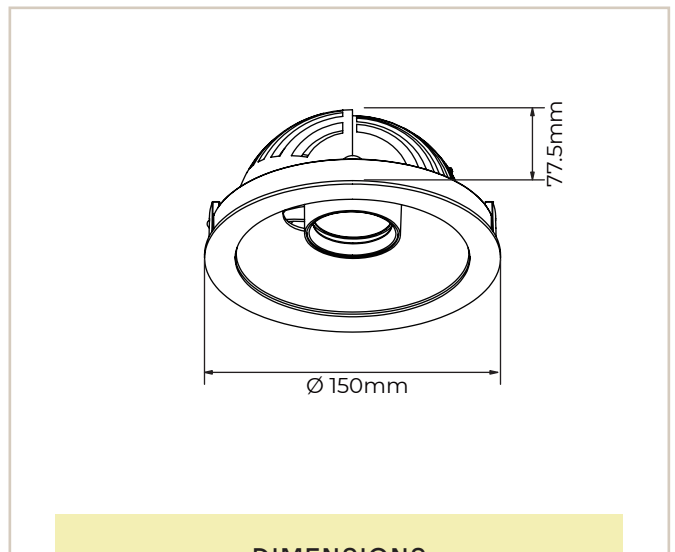
Other colours on request



Narrow  
17

Medium  
24

Wide  
36



DIMENSIONS

### Light Technical Information

W source	25	Lamp Type	COB	Ripple (%)	<5
W system	28	Voltage (V)	34-38	Ballast losses (W)	/
Im source	24/79/2676/2872	LED Current (mA)	700	Control	DALI
Im system	2001/2061/2319	MacAdam Step	3	UGR	7.2
Lm/W	70/75/81	LED numbers	1	GWT (°C)	650
Lm in emergency mode	/	Tc (Ta25 °C)	80	Rotation angle (°)	355
CCT	2700/3000/4000	Life span LED	50000H L70B50	Tilting angle (°)	30
CRI	90/95	Power factor	PF>0.9	Cutout (mm)	/
Lamp code	CXM-9-30-90-36-TC40	Minimum dimming (%)	1	Looping	/

## Specification – 2700K

Art number	EAN number	Text	CCT	Lm/W	Lm system	Colour	RAL
16010161800001	5715174130372	Gravity GR-DWT2 25w CRI90 17°	2700K	70	2001	Sandy Black	RAL9004
16010160900001	5715174130389	Gravity GR-DWT2 25w CRI90 17°	2700K	70	2001	Sandy white	RAL9016
16010161800002	5715174130396	Gravity GR-DWT2 25w CRI95 17°	2700K	67	1915	Sandy Black	RAL9004
16010160900002	5715174130402	Gravity GR-DWT2 25w CRI95 17°	2700K	67	1915	Sandy white	RAL9016
16010161800003	5715174130419	Gravity GR-DWT2 25w CRI90 24°	2700K	70	2001	Sandy Black	RAL9004
16010160900003	5715174130426	Gravity GR-DWT2 25w CRI90 24°	2700K	70	2001	Sandy white	RAL9016
16010161800004	5715174130433	Gravity GR-DWT2 25w CRI95 24°	2700K	67	1915	Sandy Black	RAL9004
16010160900004	5715174130440	Gravity GR-DWT2 25w CRI95 24°	2700K	67	1915	Sandy white	RAL9016
16010161800005	5715174130457	Gravity GR-DWT2 25w CRI90 36°	2700K	70	2001	Sandy Black	RAL9004
16010160900005	5715174130464	Gravity GR-DWT2 25w CRI90 36°	2700K	70	2001	Sandy white	RAL9016
16010161800006	5715174130471	Gravity GR-DWT2 25w CRI95 36°	2700K	67	1915	Sandy Black	RAL9004
16010160900006	5715174130488	Gravity GR-DWT2 25w CRI95 36°	2700K	67	1915	Sandy white	RAL9016

## Specification – 3000K

Art number	EAN number	Text	CCT	Lm/W	Lm system	Colour	RAL
16010161800007	5715174130495	Gravity GR-DWT2 25w CRI90 17°	3000K	75	2061	Sandy Black	RAL9004
16010160900007	5715174130501	Gravity GR-DWT2 25w CRI90 17°	3000K	75	2061	Sandy white	RAL9016
16010161800008	5715174130518	Gravity GR-DWT2 25w CRI95 17°	3000K	70	2016	Sandy Black	RAL9004
16010160900008	5715174130525	Gravity GR-DWT2 25w CRI95 17°	3000K	70	2016	Sandy white	RAL9016
16010161800009	5715174130532	Gravity GR-DWT2 25w CRI90 24°	3000K	75	2061	Sandy Black	RAL9004
16010160900009	5715174130549	Gravity GR-DWT2 25w CRI90 24°	3000K	75	2061	Sandy white	RAL9016
16010161800010	5715174130556	Gravity GR-DWT2 25w CRI95 24°	3000K	70	2016	Sandy Black	RAL9004
16010160900010	5715174130563	Gravity GR-DWT2 25w CRI95 24°	3000K	70	2016	Sandy white	RAL9016
16010161800011	5715174130570	Gravity GR-DWT2 25w CRI90 36°	3000K	75	2061	Sandy Black	RAL9004
16010160900011	5715174130587	Gravity GR-DWT2 25w CRI90 36°	3000K	75	2061	Sandy white	RAL9016
16010161800012	5715174130594	Gravity GR-DWT2 25w CRI95 36°	3000K	70	2016	Sandy Black	RAL9004
16010160900012	5715174130600	Gravity GR-DWT2 25w CRI95 36°	3000K	70	2016	Sandy white	RAL9016

## Specification – 4000K

Art number	EAN number	Text	CCT	Lm/W	Lm system	Colour	RAL
16010161800013	5715174130617	Gravity GR-DWT2 25w CRI90 17°	4000K	81	2319	Sandy Black	RAL9004
16010160900013	5715174130624	Gravity GR-DWT2 25w CRI90 17°	4000K	81	2319	Sandy white	RAL9016
16010161800014	5715174130631	Gravity GR-DWT2 25w CRI95 17°	4000K	75	2146	Sandy Black	RAL9004
16010160900014	5715174130648	Gravity GR-DWT2 25w CRI95 17°	4000K	75	2146	Sandy white	RAL9016
16010161800015	5715174130655	Gravity GR-DWT2 25w CRI90 24°	4000K	81	2319	Sandy Black	RAL9004
16010160900015	5715174130662	Gravity GR-DWT2 25w CRI90 24°	4000K	81	2319	Sandy white	RAL9016
16010161800016	5715174130679	Gravity GR-DWT2 25w CRI95 24°	4000K	75	2146	Sandy Black	RAL9004
16010160900016	5715174130686	Gravity GR-DWT2 25w CRI95 24°	4000K	75	2146	Sandy white	RAL9016
16010161800017	5715174130693	Gravity GR-DWT2 25w CRI90 36°	4000K	81	2319	Sandy Black	RAL9004
16010160900017	5715174130709	Gravity GR-DWT2 25w CRI90 36°	4000K	81	2319	Sandy white	RAL9016
16010161800018	5715174130716	Gravity GR-DWT2 25w CRI95 36°	4000K	75	2146	Sandy Black	RAL9004
16010160900018	5715174130723	Gravity GR-DWT2 25w CRI95 36°	4000K	75	2146	Sandy white	RAL9016