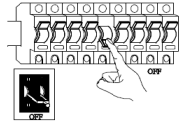


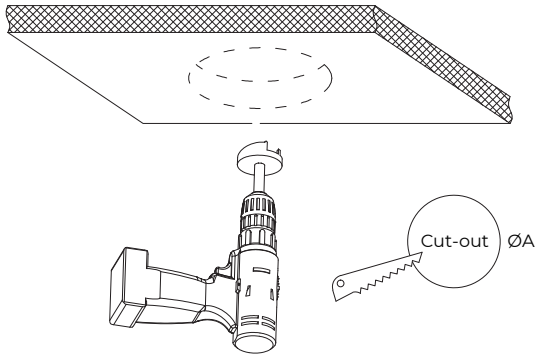
GRAVITY WALLWASHER DOWNLIGHT SERIES INSTALLTION MANUAL



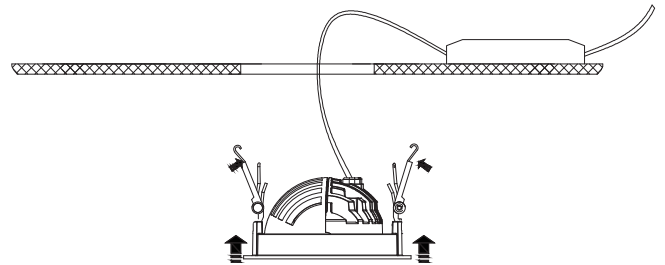
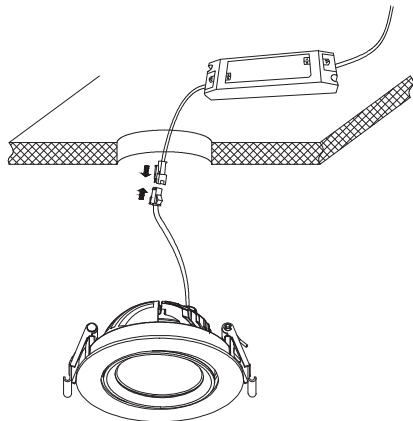
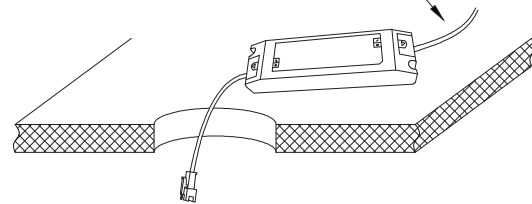
Before installation:

1. The entire installation process must be installed by a qualified electrician.
2. Make sure that the luminaires and the power supply units are always disconnected from the main supply before starting the installation.
DO NOT make connection with power ON. Keep the installation manual and follow the procedures properly.

	GR-DW1	GR-DW2
ØA	100mm	150mm



0.75m² double insulation cables
External power supply voltage input 220-240VAC



	GR-DW1	GR-DW2
A	80mm	100mm

