

SIGNIFICANT LIGHTING | ICONIC PROJECTS | BETTER BUSINESS

## When your projects get ambitious don't think ordinary

The lighting we provide means you can present installations that deliver experiences your customers – and their users – haven't seen before. Whether subtle or in your face, this enables you to set new standards for visual impact, end-user satisfaction and low cost of ownership throughout high-profile spaces.

**HERE&AFTER**

[info@hereandafter.com](mailto:info@hereandafter.com)

[hereandafter.com](http://hereandafter.com)



### Nano spot data sheet

Nano spot is a miniaturised adjustable spotlight with magnetic adapter for tool-free installation on the 24V low voltage Nano track. The design, flexible construction and width range accessories, gives the Nano track system a wide range of applications options and only the imagination is the limit.

The Nano spot structure is based on aluminium and thermoplastic. The aluminium gives the spotlight a very good passive dissipation, which provides a very long lifespan. In the thermoplastic adapter, there is a DC/DC driver circuit with an integrated dimmable function. The swivel joints allow the spot to rotate 355° and tilted by 90°. With high efficiency reflectors, which are positioned deep in the spot, the Nano spot provides a high level of visual comfort and low glare.

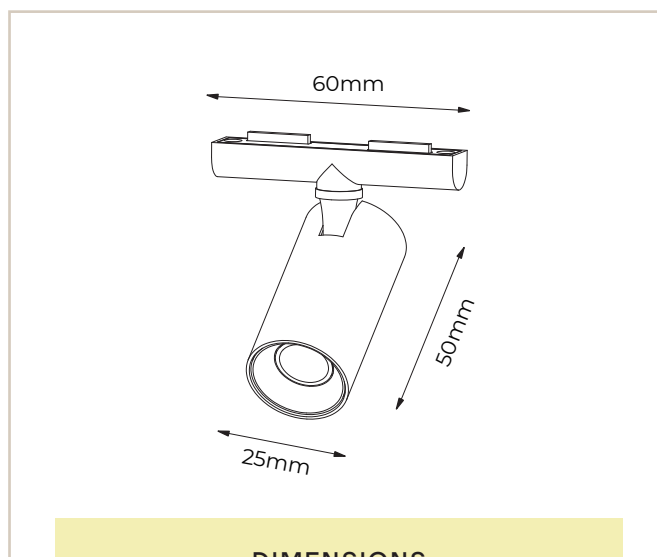
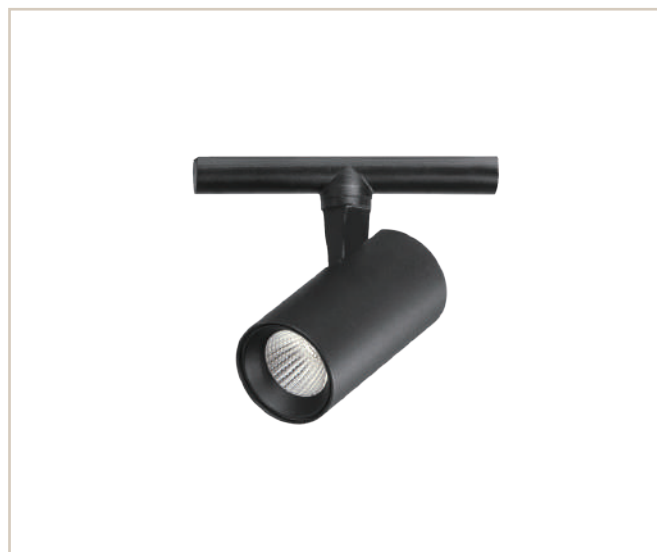
### DESIGNED BY ERIK PADKJÆR LARSEN

LED IP20    650° 

5 YEARS WARRANTY  



Narrow 20 Medium 30 Wide 40



DIMENSIONS

### Light Technical Information

W source	5	Lamp Type	COB	Ripple (%)	<5
W system	5.6	Voltage (V)	15.5-18.5	Over voltage protection	/
lm source	428/452/475/483	LED Current (mA)	280mA	Ballast losses (W)	/
lm system	334/353/370/377	MacAdam Step	3	Control	Triac
Lm/W	60/63/66/67	LED numbers	1	UGR	3
Lm in emergency mode	/	Tc (Ta25°C)	77	GWT (°C)	650 C
CCT	2700/3000/4000	Life span LED	50000H L70B50	Rotation angle (°)	355
CRI	90/95	Power factor	PF>0.9	Tilting angle (°)	90
Lamp code	CXM-3-30-90-36-TC40	Minimum dimming (%)	1	Cutout (mm)	19
Looping	/	/	/	/	/

### Specification – 2700K

Art number	EAN number	Text	CCT	Lm/W	Lm system	Colour	RAL
16030031800001	5715174000729	Nano NA-S3 5w CRI90 20°	2700K	60	334	Matt Black	RAL9004
16030031800002	5715174000736	Nano NA-S3 5w CRI95 20°	2700K	57	317	Matt Black	RAL9004
16030030900001	5715174000743	Nano NA-S3 5w CRI90 20°	2700K	60	334	Matte White	RAL9016
16030030900002	5715174000750	Nano NA-S3 5w CRI95 20°	2700K	57	317	Matte White	RAL9016
16030031800003	5715174000767	Nano NA-S3 5w CRI90 30°	2700K	60	334	Matt Black	RAL9004
16030031800004	5715174000774	Nano NA-S3 5w CRI95 30°	2700K	57	317	Matt Black	RAL9004
16030030900003	5715174000781	Nano NA-S3 5w CRI90 30°	2700K	60	334	Matte White	RAL9016
16030030900004	5715174000798	Nano NA-S3 5w CRI95 30°	2700K	57	317	Matte White	RAL9016
16030031800005	5715174000804	Nano NA-S3 5w CRI90 40°	2700K	60	334	Matt Black	RAL9004
16030031800006	5715174000811	Nano NA-S3 5w CRI95 40°	2700K	57	317	Matt Black	RAL9004
16030030900005	5715174000828	Nano NA-S3 5w CRI90 40°	2700K	60	334	Matte White	RAL9016
16030030900006	5715174000835	Nano NA-S3 5w CRI95 40°	2700K	57	317	Matte White	RAL9016

### Specification – 3000K

Art number	EAN number	Text	CCT	Lm/W	Lm system	Colour	RAL
16030031800007	5715174000842	Nano NA-S3 5w CRI90 20°	3000K	63	353	Matt Black	RAL9004
16030031800008	5715174000859	Nano NA-S3 5w CRI95 20°	3000K	59	330	Matt Black	RAL9004
16030030900007	5715174000866	Nano NA-S3 5w CRI90 20°	3000K	63	353	Matte White	RAL9016
16030030900008	5715174000873	Nano NA-S3 5w CRI95 20°	3000K	59	330	Matte White	RAL9016
16030031800009	5715174000880	Nano NA-S3 5w CRI90 30°	3000K	63	353	Matt Black	RAL9004
16030031800010	5715174000897	Nano NA-S3 5w CRI95 30°	3000K	59	330	Matt Black	RAL9004
16030030900009	5715174000903	Nano NA-S3 5w CRI90 30°	3000K	63	353	Matte White	RAL9016
16030030900010	5715174000910	Nano NA-S3 5w CRI95 30°	3000K	59	330	Matte White	RAL9016
16030031800011	5715174000927	Nano NA-S3 5w CRI90 40°	3000K	63	353	Matt Black	RAL9004
16030031800012	5715174000934	Nano NA-S3 5w CRI95 40°	3000K	59	330	Matt Black	RAL9004
16030030900011	5715174000941	Nano NA-S3 5w CRI90 40°	3000K	63	353	Matte White	RAL9016
16030030900012	5715174000958	Nano NA-S3 5w CRI95 40°	3000K	59	330	Matte White	RAL9016

### Specification – 4000K

Art number	EAN number	Text	CCT	Lm/W	Lm system	Colour	RAL
16030031800013	5715174000965	Nano NA-S3 5w CRI90 20°	4000K	66	370	Matt Black	RAL9004
16030031800014	5715174000972	Nano NA-S3 5w CRI95 20°	4000K	62	349	Matt Black	RAL9004
16030030900013	5715174000989	Nano NA-S3 5w CRI90 20°	4000K	66	370	Matte White	RAL9016
16030030900014	5715174000996	Nano NA-S3 5w CRI95 20°	4000K	62	349	Matte White	RAL9016
16030031800015	5715174001009	Nano NA-S3 5w CRI90 30°	4000K	66	370	Matt Black	RAL9004
16030031800016	5715174001016	Nano NA-S3 5w CRI95 30°	4000K	62	349	Matt Black	RAL9004
16030030900015	5715174001023	Nano NA-S3 5w CRI90 30°	4000K	66	370	Matte White	RAL9016
16030030900016	5715174001030	Nano NA-S3 5w CRI95 30°	4000K	62	349	Matte White	RAL9016
16030031800017	5715174001047	Nano NA-S3 5w CRI90 40°	4000K	66	370	Matt Black	RAL9004
16030031800018	5715174001054	Nano NA-S3 5w CRI95 40°	4000K	62	349	Matt Black	RAL9004
16030030900017	5715174001061	Nano NA-S3 5w CRI90 40°	4000K	66	370	Matte White	RAL9016
16030030900018	5715174001078	Nano NA-S3 5w CRI95 40°	4000K	62	349	Matte White	RAL9016

## Accessories

Art number	EAN number	Text	Colour	RAL
16040061800001	5715174150608	Nano NA-TRC300 0.3M Semi Round Track only	Sandy Black	RAL9004
16040060900001	5715174150615	Nano NA-TRC300 0.3M Semi Round Track only	Sandy White	RAL9016
16040011800001	5715174150622	Nano NA-TRC1000 1M Semi Round Track only	Sandy Black	RAL9004
16040010900001	5715174150639	Nano NA-TRC1000 1M Semi Round Track only	Sandy White	RAL9016
16040021800001	5715174150646	Nano NA-TRC2000 2M Semi Round Track only	Sandy Black	RAL9004
16040020900001	5715174150653	Nano NA-TRC2000 2M Semi Round Track only	Sandy White	RAL9016
16040041800001	5715174150684	Nano NA-TRC2 End Cap	Sandy Black	RAL9004
16040040900001	5715174150691	Nano NA-TRC2 End Cap	Sandy White	RAL9016
16040051800001	5715174150707	Nano NA-TRC3 Furniture Holder with Feeder	Sandy Black	RAL9004
16040050900001	5715174150714	Nano NA-TRC3 Furniture Holder with Feeder	Sandy White	RAL9016
16040192100001	5715174150721	Nano NA-TRC5 End Connector	Sandy Black	RAL9004
16040191600001	5715174150738	Nano NA-TRC5 End Connector	Sandy White	RAL9016
16040202100001	5715174150745	Nano NA-TRC6 Middle Connector	Sandy Black	RAL9004
16040201600001	5715174150752	Nano NA-TRC6 Middle Connector	Sandy White	RAL9016
16040212100001	5715174150769	Nano NA-TRC7 L Connector	Sandy Black	RAL9004
16040211600001	5715174150776	Nano NA-TRC7 L Connector	Sandy White	RAL9016
16040222100001	5715174150783	Nano NA-TRC8 T Connector	Sandy Black	RAL9004
16040221600001	5715174150790	Nano NA-TRC8 T Connector	Matte White	RAL9016
16040231800001	5715174150806	Nano NA-TRC12 Recessed Outlet	Sandy Black	RAL9004
16040230900001	5715174150813	Nano NA-TRC12 Recessed Outlet	Sandy White	RAL9016
16040241800001	5715174150820	Nano NA-TRC13 Trimless Outlet	Sandy Black	RAL9004
16040240900001	5715174150837	Nano NA-TRC13 Trimless Outlet	Sandy White	RAL9016
16040251800001	5715174150844	Nano NA-TRC14 Surface mounted Outlet	Sandy Black	RAL9004
16040250900001	5715174150851	Nano NA-TRC14 Surface mounted Outlet	Sandy White	RAL9016

## Driver

Art number	EAN number	Text
19040060000077	5715174150004	24w Constant voltage 24V driver Triac
19040060000125	5715174150011	40w Constant voltage 24V driver Triac
19040060000126	5715174150028	75w Constant voltage 24V driver Triac
19040060000127	5715174150035	150w Constant voltage 24V driver Triac
19040060000128	5715174150042	200w Constant voltage 24V driver Triac